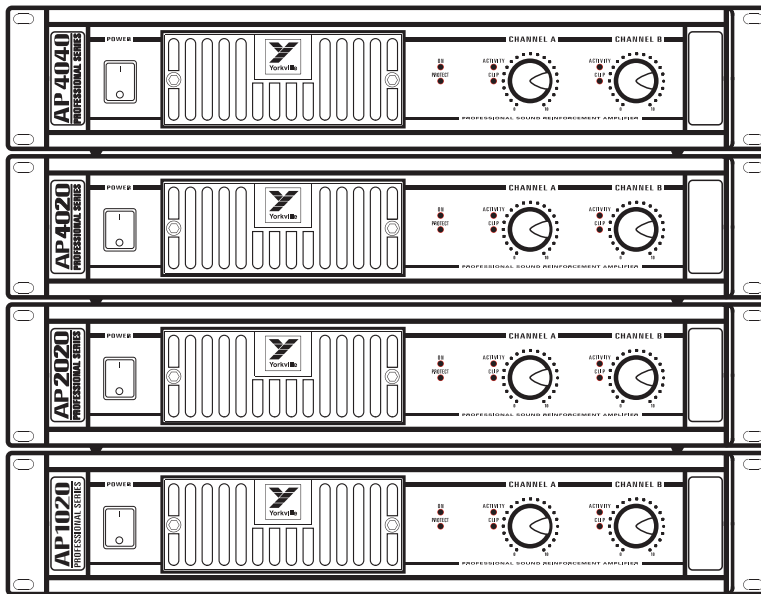




AP1020

PROFESSIONAL SERIES



MODEL TYPE: YS1020

OWNER'S MANUAL

MANUEL DE L'UTILISATEUR

IMPORTANT SAFETY INSTRUCTIONS



INSTRUCTIONS PERTAINING TO A RISK OF FIRE, ELECTRIC SHOCK, OR INJURY TO PERSONS

INSTRUCTIONS RELATIVES AU RISQUE DE FEU, CHOC ÉLECTRIQUE, OU BLESSURES AUX PERSONNES

CAUTION:

TO REDUCE THE RISK OF ELECTRIC SHOCK, DO NOT REMOVE COVER (OR BACK).

NO USER SERVICEABLE PARTS INSIDE.

REFER SERVICING TO QUALIFIED SERVICE PERSONNEL.

AVIS:

AFIN DE REDUIRE LES RISQUE DE CHOC ELECTRIQUE, N'ENLEVEZ PAS LE COUVERT (OU LE PANNEAU ARRIERE)

NE CONTIENT AUCUNE PIECE REPARABLE PAR L'UTILISATEUR.

CONSULTEZ UN TECHNICIEN QUALIFIE POUR L'ENTRETIEN

Read Instructions

The Owner's Manual should be read and understood before operation of your unit. Please, save these instructions for future reference.

Packaging

Keep the box and packaging materials, in case the unit needs to be returned for service.

Warning

When using electric products, basic precautions should always be followed, including the following:

Power Sources

Your unit should be connected to a power source only of the voltage specified in the owners manual or as marked on the unit. This unit has a polarized plug. Do not use with an extension cord or receptacle unless the plug can be fully inserted. Precautions should be taken so that the grounding scheme on the unit is not defeated.

Hazards

Do not place this product on an unstable cart, stand, tripod, bracket or table. The product may fall, causing serious personal injury and serious damage to the product. Use only with cart, stand, tripod, bracket, or table recommended by the manufacturer or sold with the product. Follow the manufacturer's instructions when installing the product and use mounting accessories recommended by the manufacturer.

The apparatus should not be exposed to dripping or splashing water; no objects filled with liquids should be placed on the apparatus.

Terminals marked with the "lightning bolt" are hazardous live; the external wiring connected to these terminals require installation by an instructed person or the use of ready made leads or cords.

No naked flame sources, such as lighted candles, should be placed on the apparatus.

Power Cord

The AC supply cord should be routed so that it is unlikely that it will be damaged. If the AC supply cord is damaged DO NOT OPERATE THE UNIT.

Service

The unit should be serviced only by qualified service personnel.

Veillez Lire le Manuel

Il contient des informations qui devraient être comprises avant l'opération de votre appareil. Conservez S.V.P. ces instructions pour consultations ultérieures.

Emballage

Conservez la boîte au cas où l'appareil devrait être retourné pour réparation.

Attention:

Lors de l'utilisation de produits électriques, assurez-vous d'adhérer à des précautions de bases incluant celle qui suivent:

Alimentation

L'appareil ne doit être branché qu'à une source d'alimentation correspondant au voltage spécifié dans le manuel ou tel qu'indiqué sur l'appareil. Cet appareil est équipé d'une prise d'alimentation polarisée. Ne pas utiliser cet appareil avec un cordon de raccordement à moins qu'il soit possible d'insérer complètement les trois lames. Des précautions doivent être prises afin d'éviter que le système de mise à la terre de l'appareil ne soit désengagé.

Risque

Ne pas placer cet appareil sur un chariot, un support, un trépied ou une table instables. L'appareil pourrait tomber et blesser quelqu'un ou subir des dommages importants. Utiliser seulement un chariot, un support, un trépied ou une table recommandés par le fabricant ou vendus avec le produit. Suivre les instructions du fabricant pour installer l'appareil et utiliser les accessoires recommandés par le fabricant.

Il convient de ne pas placer sur l'appareil de sources de flammes nues, telles que des bougies allumées.

L'appareil ne doit pas être exposé à des égouttements d'eau ou des éclaboussures et qu'aucun objet rempli de liquide tel que des vases ne doit être placé sur l'appareil.

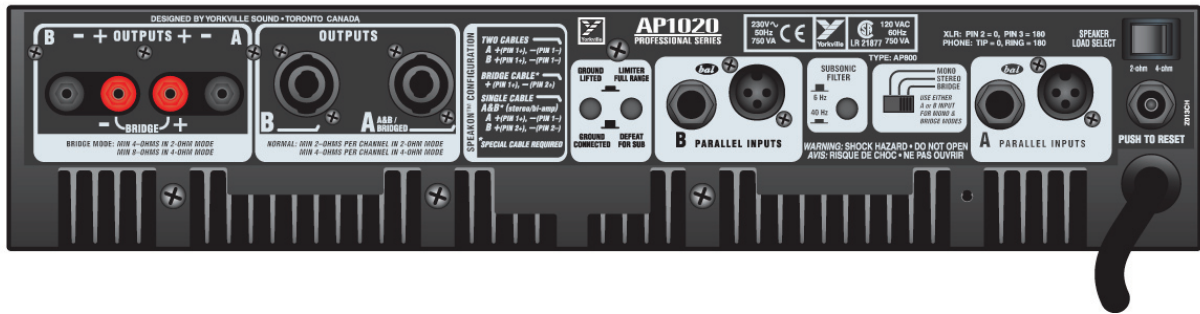
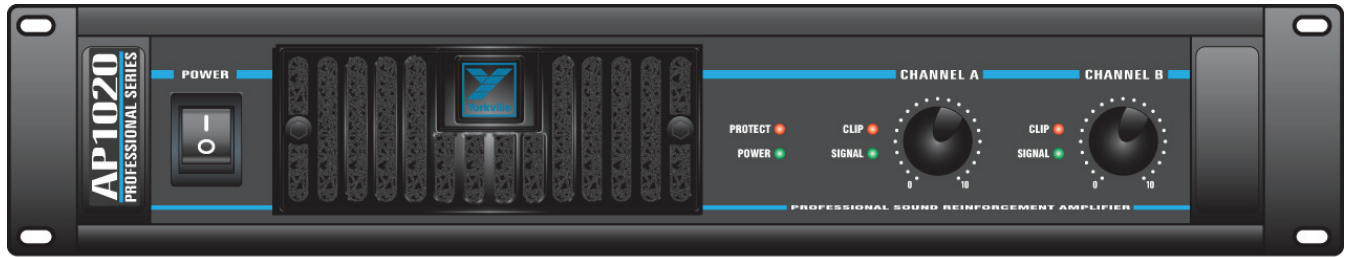
Les dispositifs marqués d'un symbole "d'éclair" sont des parties dangereuses au toucher et que les câblages extérieurs connectés à ces dispositifs de connexion extérieure doivent être effectués par un opérateur formé ou en utilisant des cordons déjà préparés.

Cordon d'Alimentation

Évitez d'endommager le cordon d'alimentation. N'UTILISEZ PAS L'APPAREIL si le cordon d'alimentation est endommagé.

Service

Consultez un technicien qualifié pour l'entretien de votre appareil.



Introduction

Your new Yorkville AP1020 power amplifier has been designed and built to provide years of trouble free performance. The AP1020 starts with the field-proven reliability of our Audiopro amplifiers and customer requested features like switchable limiters and a Mono/Stereo/Bridge switch. We've made the AP1020 power configurable, (see Power Configuration), which makes it one of the most versatile amp in its class.

The AP1020 weighs a comfortable, but solid, 39 pounds; it fits into two rack spaces and reproduces music with over 1200 Watts of headroom. It will drive reactive phase shifted loads with no difficulty - even though it is fully protected from accidental short circuits. Our design goal was to create an amplifier, which would do exactly what an amplifier should do: reproduce music with great power, complete reliability, and uncompromising signal fidelity. We think you will agree that the Yorkville AP1020 does exactly that. We hope this manual will provide answers to any questions you may have about the features, controls, and characteristics of this amplifier.

Inputs

Balanced Inputs

Either XLR or two circuit Ring, Tip, Sleeve stereo 1/4-inch PHONE cords may be used. Each channel's XLR input is internally paralleled with its phone input: The Tip of the Channel A Phone input is connected to pin 2 of its XLR input, the Ring is connected to pin 3, and the Sleeve is connected to pin 1. Pin 2 is in phase, pin 3 is 180 degrees out of phase, and pin 1 is ground. We recommend using balanced lines for the best hum-free performance, particularly when chaining multiple amplifiers.

Unbalanced Inputs

Ordinary single circuit *standard* 1/4 inch phone plugs may be used to connect unbalanced signals. Important Note: Such plugs effectively connect the ring terminal to sleeve ground, so they work correctly. However, if you use a *stereo* 1/4-inch phone plug on an unbalanced line, you *must* short the ring terminal to the sleeve terminal, otherwise the sensitivity will be 6 dB lower than is specified! (The same applies to the XLR input; to connect an unbalanced source via the XLR input, you must connect the signal to pin 2 and ground *both* pin 1 and pin 3).

Remote Referencing

You can approach balanced performance with unbalanced sources by utilizing the remote reference feature of the AP1020. Connect a balanced cable to the AP1020 just as you would if you were running a balanced line. At the other end, connect pin 3 and pin 1 together, (or connect ring to sleeve if you are using a phone plug cable), and plug this modified end into your unbalanced piece of equipment. This connection enables the AP1020's input to "look" down the cable directly at the output jack of the unbalanced equipment. Any hum voltage generated across the cable's impedance will be attenuated by the common mode rejection of the AP1020.

Driving Multiple AP1020s

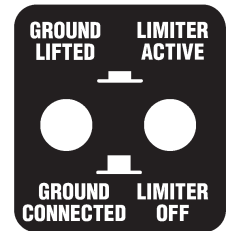
In large installations it is often desirable to operate many amplifiers in tandem. Since each channel's XLR input is internally paralleled with its phone input, you may use the remaining input jack

as an output to the next amplifier. Obviously you will need both XLR-to-XLR and phone-to-phone patch cords if you are going to tandem more than two amplifiers.

Note: These patch cords must be balanced whether the input signal is balanced or unbalanced!

Ground Switch

Switching the ground switch on the rear panel will disconnect chassis ground from circuit ground. Safety (*earth*) ground is still connected to the chassis. We do not recommend lifting the ground strap unless you are experiencing problems with ground loop hum in multiple amplifier setups where lifting the ground straps of all but one amplifier cures the hum problem.



CAUTION: Sometimes hum problems are an indication of improper AC wiring somewhere else in your system. Don't just doctor the symptom by lifting grounds. Fix the cause by making sure that the proper electrical wiring safety regulations have been adhered to.

Modes

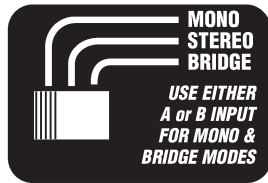
The AP1020 can be configured for *dual-Mono*, Stereo, or Bridged Mono operation via this rear panel Mode switch. The following is a description of each mode:

Mono Mode

- Channels A and B inputs are paralleled
- Each gain control adjusts the signal level for its respective channel
- Output signals are of *equal phase*.
- Two loads are driven.
- Loads are connected between the black and red post on each channel.

Stereo Mode

- Channels A and B inputs are separate.
- Two independent amplifiers, Amp A and Amp B.
- Two loads are driven.
- Loads are connected between the black and red posts on each channel.



Bridge Mode

- Channels A and B inputs are paralleled. Gain B has no effect.
- Output signals are equal in amplitude but opposite in phase.
- One load is driven.
- The load is connected between the two red binding posts. The black posts are not used.

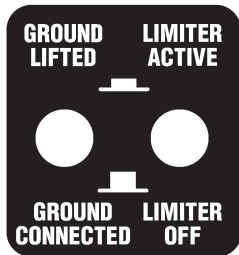
Subsonic Filter Switch

The AP1020 features a specially designed subsonic filter, which effectively blocks potentially destructive energy in the band below 40 Hz. The filter provides a 12 dB/octave skirt below 40 Hz. It is implemented with a two-pole network designed to minimize phase shift down to 40 Hz. We recommend using this filter in conjunction with some subwoofers and with all high power full range cabinets. With the filter disabled, the AP1020 is flat down to 6 Hz, and rolls off at 12 dB/octave below that.



Limiter Switch

When the internal limiters are activated, the AP1020's gain is continuously self-adjusted to fit the signal within the available dynamic range. Occasional clipping is permitted. The limiters will not only help to protect your system's mid-horns and tweeters, but will automatically make the best use of the available dynamic headroom. With the limiters activated, all you need to do is turn up the signal level until you start to see some clipping. The limiters will make sure that you are getting the maximum clean power output at all times. Setting the switch to the Out position completely disables both limiters.



Protect LED

In the event of a shorted load, or a load which is of too low an impedance for the amplifier to handle, the Protect LED will flash alternately in about 7-second intervals. The sound may come on and off at 1/2-second. In this case, the fault is in the speakers or the speaker cables and should be located and remedied. No reset of the AP1020 is required to restore proper operation. The Protect LED will stay on if the amplifier has overheated. Check the speaker load impedance, the position of the load select switch, and any restrictions to air flow at the air intake or exhaust vents of the amplifier.

Short-Circuit Protection

The AP1020 is fully protected against all possible passive load conditions. It can operate with a dead short continuously without damage. We don't recommend that you short your AP1020 "just for fun," short-circuits create a lot of stress on the output devices. The output stage uses a unique triple-slope VL limiting scheme

that is sophisticated enough to remain inert during transient currents in excess of 40 Amperes and phase angles of more than 45 degrees, yet is capable of protecting the output stage from damage due to accidental short circuits and improper loads.

DC Protection

In the unlikely event of the AP1020's outputs "going DC," a thyristor circuit will short the output terminals and divert all potentially harmful currents away from your speakers.

Thermal Protection

In the unlikely event that the AP1020 overheats, the signal will be sporadically cut off and the Protect LED will stay on. If further heating occurs, due to a malfunction, the internal thermal breaker will interrupt the primary circuit. There is no visible indication of this rare condition. The AP1020 is designed and tested to operate under "worst case" conditions without shutting down, check for blocked airflow if you experience a thermal shutdown.

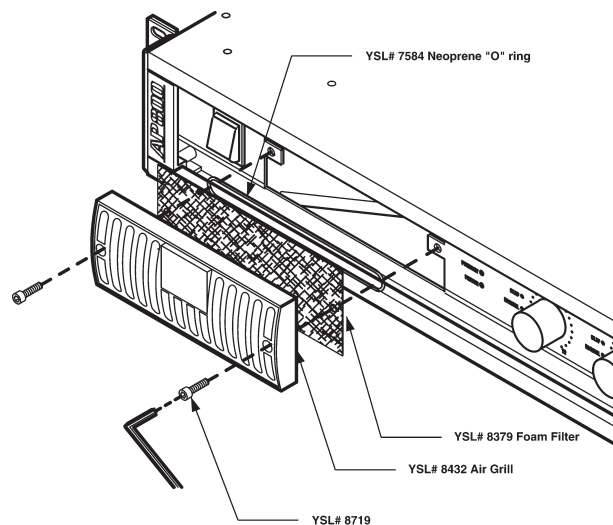
Cooling

The fan draws air inward from the front and expels hot air through the rear vents on the amplifier. This is compatible with other Yorkville power amplifiers (and with most installations). Since hot air rises, the heated air forcibly expelled from the back tends to rise away from the equipment rack, this draws cool air from the floor upwards into the front of the rack. In some cases, where the rear of the rack is obstructed, it may be necessary to install fans in the rack to aid cooling. If there are no obstructions, secondary cooling is not required.

Fan Filter Maintenance

The AP1020 is factory equipped with a fan filter mounted on the air intake grill on the amplifier's front panel. Regular cleaning of this filter will increase the amplifier's long-term reliability. The filter should be removed and washed at the first sign of visible clogging. This will typically occur every four to six weeks depending on use and environment. Replacement filters are inexpensive and can be ordered through Yorkville dealers. The foam filter should be removed if a regular inspection schedule is not going to be followed. The amplifier can operate without the filter in place, but the amplifier should be cleaned internally (by a qualified service technician) when dust is visible on the heatsink fins.

Note: In an unusually dusty location removing the foam filter can extend the operating time before thermal shutdown could occur. At that time, the internal heatsinks should be cleaned thoroughly.



CAUTION: The AP1020 can deliver over 800 Watts of power into a bridged load. Yorkville's own high power speaker systems have circuit-breaker protection built in. Although these speakers will protect themselves, they are unlikely to be damaged by a bridged AP1020. However, many other speaker manufacturers make "high power cabinets" with no protection features at all

Yorkville Sound is not responsible for any damage, which may result as a consequence of exceeding such a speaker's power handling capability. Yorkville's two-year unconditional warranty does not cover any consequential damages to non-Yorkville equipment. Please consider these facts carefully before you choose to run your AP1020 in bridged mode!

Clip LEDs

The Clip LEDs on the front panel will visibly indicate any signal excursion beyond the dynamic headroom of the amplifier.

Reliability

The AP1020 is designed by Yorkville Sound. Each unit undergoes a thorough, temperature cycled burn-in period, and each circuit is tested by both manual and sophisticated computer-controlled equipment, which is capable of identifying any deviation from the design parameters. The design of the AP1020 is conservative, with respect to the power handling capabilities of the output devices. The topology guarantees that thermal stress, not secondary breakdown, will set the limits of operation while the computer-optimized heat dissipation system insures that excessive thermal stress will not occur.

The AP1020 is not only suitable for use in both heavy duty touring sound reinforcement systems but also when high headroom and low distortion are needed to fully reproduce the dynamic range and clarity of today's CD recordings. The AP1020 is built to survive grueling road conditions and constant 2-ohm operation. Its reliability is a fixed installation running 4 or 8-ohm studio monitors is without parallel.

Output Connections

The AP1020 has 5-way binding posts and Neutrik four contact Speakon™ connectors for output speaker connections. Connection to the binding posts can either be made with a banana plug inserted into the end of the post.

There are two Speakon™ connectors. The Speakons™ are connected to the amplifier's outputs whether the amplifier is in Stereo, Mono or Bridge modes. Each Speakon™ output connector (Output A and Output B) is wired in parallel with its respective binding posts for two channel two cable connections (figure 1).

Speakon™ Output A also doubles as the A-B/Bridge connector. This Speakon™ contains both channels on one connector. This is convenient when connecting one speaker to the amplifier in bridge mode where the speaker is connected across the positives of each amplifier output. Configure the Mode switch for Bridge and connect the speaker to pins +1 and +2 of the bridge/biamp Speakon™ (figure 3).

To connect a biamp speaker, configure the amplifier for Stereo and connect to the bridge/biamp connector but use all four terminals in the Speakon™ connector which will connect A and B Outputs separately to the speaker (figure 2). Connection configurations are labeled on the back panel.

Impedance Mode Switch

The AP1020 comes factory-configured to deliver its maximum power into a 2-ohm load. However, it is possible to switch your AP1020 to deliver its maximum power into 4-ohms. The switch is located on the rear panel above the line cord. To prevent damage to the amplifier's circuitry, only switch modes when the amplifier's power switch is *off*. This feature is meant to be used when the speaker load is known. Please Note: In the 4-ohm configuration, the minimum load per channel is 4-ohms. The minimum Bridge load is 8-ohms. Attempting to operate into 2-ohm loads while in the 4-ohm configuration will cause the amplifier to go into current limit, thermal limit or both.

The Power specification chart in this manual shows the powers that can be obtained for various configurations and loads.

Power Output

One Channel Driven

Load (ohms)	1 kHz Cont. Average	1 kHz Burst	1 kHz Cont. Average	1 kHz Burst
	2-ohm Mode	2-ohm Mode	4-ohm Mode	4-ohm Mode
8	180	200	280	310
4	310	380	500	590
2	520	650	n/a	n/a

Both Channels Driven

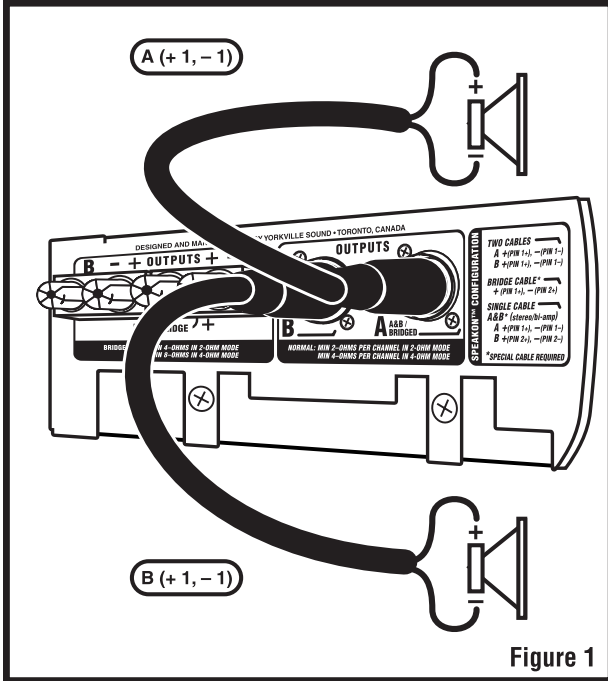
Load (ohms)	1 kHz Cont. Average	1 kHz Burst	1 kHz Cont. Average	1 kHz Burst
	2-ohm Mode	2-ohm Mode	4-ohm Mode	4-ohm Mode
8	165	250	250	290
4	270	350	400	560
2	400	600	n/a	n/a

Bridge Mode

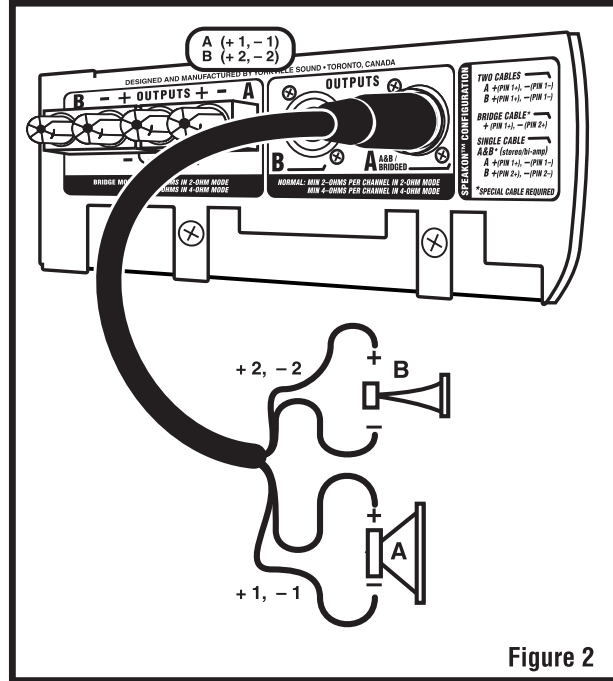
Load (ohms)	1 kHz Cont. Average	1 kHz Burst	1 kHz Cont. Average	1 kHz Burst
	2-ohm Mode	2-ohm Mode	4-ohm Mode	4-ohm Mode
8	550	700	840	1100
4	840	1200	n/a	n/a
2	n/a		n/a	n/a

All values are in Watts. Measurements were made at the 0.1% distortion point. Some **continuous average power** measurements required line currents greater than 15 amps. The amplifier under test was plugged into an **ideal power line** consisting of a **Regulated 120 VAC RMS 60 Hz pure sine wave**. Ordinary AC **wall-outlet** lines will always exhibit varying and unpredictable amounts of sag. To produce objectively verifiable and accurate specifications these unknown factors must be eliminated by using an **ideal AC line**. When using an ordinary electrical outlet, it will usually be possible to get 800 Watts when the AP1020 is bridged into 4-ohms. The **burst** measurement uses a 10 ms burst at 1 kHz with a pause of 1/8 second between bursts. The 1 kHz burst represents the maximum possible sine wave output power.

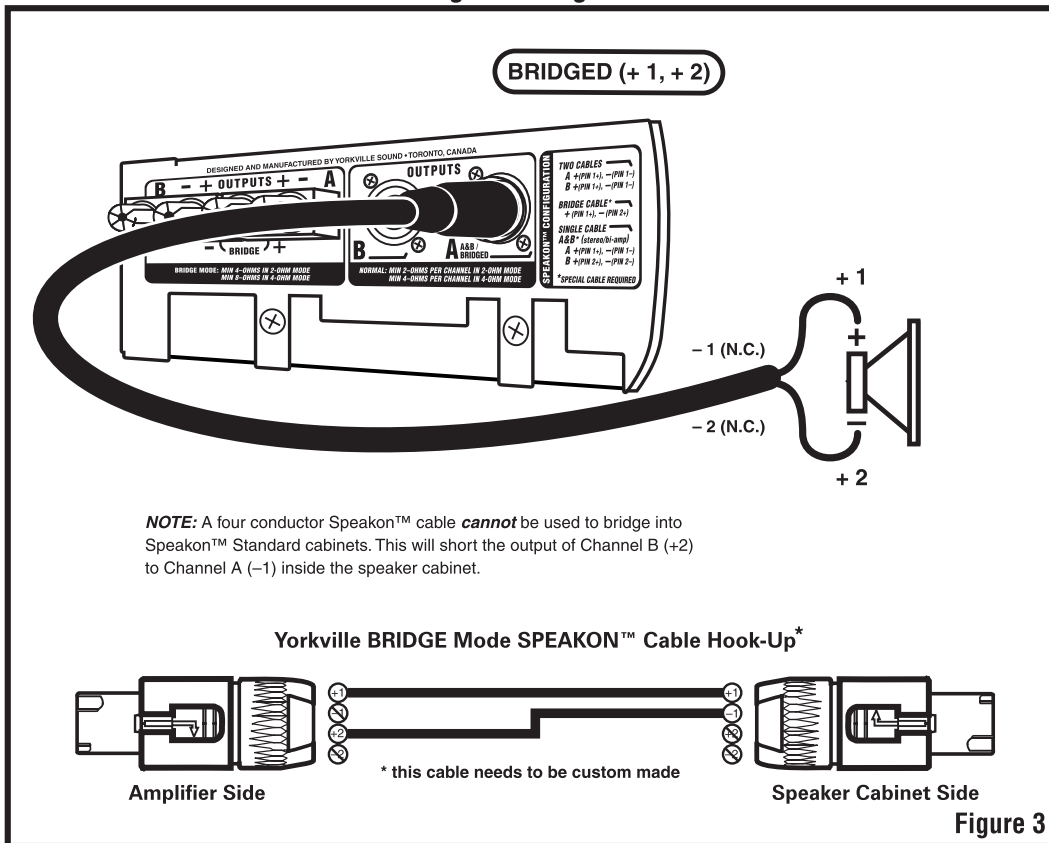
Two Channel Configuration

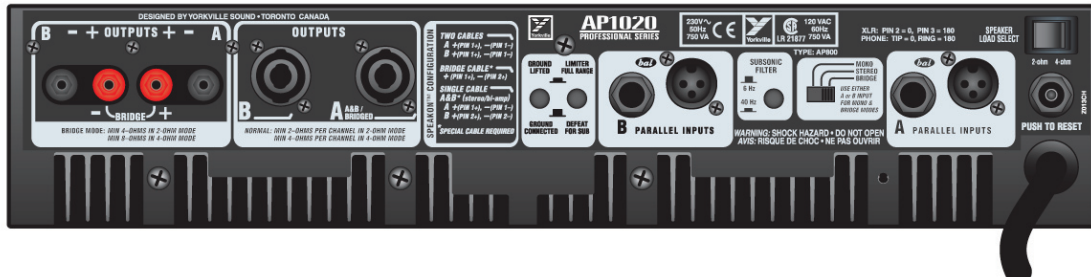


Bi Amp Configuration



Bridged Configuration





Introduction

Votre nouvel amplificateur AP1020 a été conçu et fabriqué pour vous servir avec fiabilité pour bien des années à venir. Avec des caractéristiques tel limiteur commutable et sélecteur Mono/Stereo/en Pont, le AP1020 s'introduit au marché appuyé par la fiabilité déjà prouvée de la série d'amplificateur Audiopro. Les différentes possibilités de configuration de la section de puissance (Voir: Configuration de la Section de Puissance) font du AP1020 l'amplificateur le plus versatile de sa catégorie.

Le AP1020 pèse 39 livres, s'installe dans deux espaces rack standard et reproduit la musique avec au-delà de 1200 Watts d'extension dynamique. Il peut conduire une charge réactive et déphasée sans difficulté, tout en restant pleinement protégé contre les court-circuits accidentels. Notre but, concevoir un amplificateur avec une fonction bien définie: reproduire la musique avec puissance et fidélité tout en étant extrêmement fiable. Nous sommes confiants que vous serez d'accord avec le fait que l' AP1020 remplit ses fonctions de façon impeccable.

Nous espérons que ce manuel fournira des réponses aux questions que vous pourriez avoir au sujet des traits, contrôles, et caractéristiques de cet amplificateur.

Entrées

Entrées Symétriques

Les prises XLR ou phono 1/4-pouce-pouce à double circuit (stéréo) pointe/couronne/manchon peuvent être utilisées avec les entrées symétriques. La prise XLR de chaque canal est branchée en parallèle avec la prise 1/4-pouce du même canal: La pointe de la prise 1/4-pouce sur chaque canal est branchée à la tige 2 de la prise XLR du canal correspondant, la couronne à la tige 3 et le manchon à la tige 1. La tige 2 est en phase, la tige 3 est en opposition de phase et la tige 1 est branché à la masse. L'utilisation des entrées symétriques vous permettra d'obtenir une meilleure performance signal/bruit, particulièrement lors de montage à plusieurs amplificateurs.

Entrée Assymétrique

Des prises phono à circuit simple peuvent être utilisées pour les signaux assymétriques. Note Importante: Pour assurer un bon fonctionnement, l'utilisation d'un tel connecteur branche efficacement la bague à la masse (manchon). Si toutefois vous utilisez une prise stéréo avec un signal assymétrique, vous devez brancher la tige de la couronne à la tige du manchon. Cela empêchera une réduction du niveau du signal de 6dB par rapport aux spécifications. La même méthode s'applique pour l'utilisation des prises XLR: pour brancher un signal assymétrique à une prise XLR branchez le signal à la tige 2 et branchez les tiges 1 et 3 à la masse.

Téléférence

Le dispositif de téléférence du AP1020 vous permet d'obtenir d'une source assymétrique des résultats comparables aux ensembles avec branchement symétrique. A l'autre extrémité du câble faites contact entre les tiges 3 et 1 (avec une prise 1/4-pouce, faites contact entre la couronne et le manchon), et branchez cette extrémité à la sortie de votre appareil assymétrique. Ce type de branchement permet à l'entrée du AP1020 de percevoir le signal directement à la prise de sortie de l'appareil assymétrique. Tout bourdonnement de voltage généré à travers l'impédance du câble va être atténué avec le rapport de réjection en mode commun du AP1020.

Montage à Multiple AP1020

Pour de larges installations, il est souvent nécessaire d'utiliser plusieurs amplificateurs en tandem. La prise XLR de chaque canal,

étant intérieurement branchée en parallèle avec la prise phono 1/4-pouce correspondant, la prise d'entrée inutilisée peut être utilisée comme sortie pour diriger le signal vers un amplificateur additionnel. Si vous avez l'intention de brancher plus de deux AP1020 en parallèle, vous aurez besoin des deux types de câbles XLR à XLR et Phono 1/4-pouce à Phono 1/4-pouce.

Note: Ces fils de raccordement doivent être symétriques, peu importe le type de signal utilisé (symétrique ou assymétrique).

Commuter de Mise a la Masse

Il est possible de découpler la masse entre le châssis et le circuit par l'entremise du commutateur de mise à la masse. La mise à la masse de sûreté demeure toutefois branchée au châssis. A moins que vous n'avez des problèmes de bourdonnement causés par une boucle de masse dans des montages à plusieurs amplificateurs, nous vous recommandons de laisser la masse branchée.

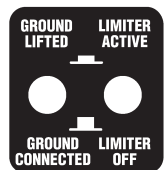
Avertissement: Les problèmes de bourdonnement indiquent parfois un mauvais câblage CA dans votre système. Ne réglez pas ces problèmes en coupant simplement le branchement à la masse: assurez-vous que votre câblage électrique est conforme aux normes de sécurité.

Commuter Mono/Stereo/en Pont

Le AP1020 peut être configuré pour opération en mode double mono, stéréo ou en pont avec le commutateur *mode* du panneau arrière. Voici une description de chaque mode:

Mono

- Les entrées des Canaux A et B sont en parallèle
- Le gain est réglé par leur contrôle de niveau respectif
- Les signaux de sortie sont de phase égale.
- Deux charges branchées Chaque charge est branchée entre une borne Rouge et une Noire.



Stereo

- Deux amplificateurs indépendants, Amp A et Amp B.
- Deux charges branchées.
- Les charges sont branchées entre les bornes Noires et Rouges.

En Pont

- Les entrées des Canaux A et B sont en parallèle. Le contrôle de gain B est inactif.
- Les signaux aux sorties sont d'égale amplitude mais de phase opposé.
- Une charge est branchée.
- Les bornes Noires ne sont pas utilisées
- La charge est branchée entre deux bornes Rouges.

Commutateur de Filtre Subsonique

Le AP1020 est doté d'un filtre subsonique spécialement conçu pour bloquer efficacement l'énergie destructive des fréquences inférieure à 40 Hz. Ce filtre assure une coupure de 12 dB/octave en-dessous de 40 Hz. Une conception de réseau à deux poles permet de minimiser les décalages de phase jusqu'à 40 Hz. Nous vous recommandons l'utilisation de ce filtre avec certains modèles de cabinet pour sous-grave et avec tout les cabinets pleine bande haute puissance. Avec le filtre désengagé, la réponse en fréquence du AP1020 est stable jusqu'à 6 Hz avec une coupure de 12 dB/Oct en-dessous de 6 Hz.

Commutateur de Limiteur

Avec limiteurs internes actifs, les gains du AP1020 sont constamment ajustés de façon à régler le niveau du signal dans les limites de l'extension dynamique disponible. L'écrtage occasionnel est permis. En plus de fournir une protection supplémentaire aux haut-parleurs à pavillon et aux tweeters de votre système, les limiteurs feront automatiquement le meilleur usage possible de l'extension dynamique du AP1020. Avec les limiteurs actifs vous n'avez qu'à augmenter le niveau du signal jusqu'à ce que l'écrtage occasionnel se produise. Ils vous assureront, en tout temps, une puissance de sortie maximum sans écrtage. Régler le sélecteur à la position "out" désengage complètement chaque limiteur.

DEL Protectrice

Lorsqu'une charge court-circuitée ou une charge dont l'impédance est inférieure à ce que l'amplificateur peut supporter se présente à celui-ci, la DEL protectrice clignote à des intervalles d'environ 7 secondes. Le son peut être coupé à la même fréquence. Dans ce cas, on doit localiser et régler le problème qui réside dans les haut-parleurs ou dans le câblage des haut-parleurs. Aucun réglage au AP1020 n'est nécessaire pour restorer le mode d'opération. Si l'amplificateur surchauffe, la DEL Protectrice reste allumé. Vérifier l'impédance de charge, la position du sélecteur de charge et toute restriction aux prises d'air ou au orifices d'échappement.

Protection Contre les Court-Circuits

Le AP1020 est pleinement protégé contre toute condition possible de charge passive. Il peut opérer sans danger d'être endommagé avec une charge court-circuitée. (Il est toutefois déconseillé d'y brancher une tel charge). Un court-circuit crée une forte tension sur les appareils de sortie). L'étage de sortie utilise un arrangement à triple pente VI d'atténuation suffisamment sophistiqué pour demeurer neutre durant les transitoires de courant excédant 40 ampères et les angles de phase de plus de 45 degrés tout en protégeant l'étage de sortie contre les dommages causés par des charges court-circuitées ou des charges trop basses accidentelles.

Protection du CC

Si par hasard les sorties du AP1020 laissent passer du CC, un circuit à thyristor court-circuite automatiquement les terminaux de sortie et dirige le courant qui présente un danger potentiel, à l'écart des haut-parleurs.

Protection Thermique

Il est peu probable que le AP1020 surchauffe mais si cela devait se produire, le signal serait coupé sporadiquement et la DEL Protectrice clignoterait. Si le surchauffage persiste, (du à un mal-fonctionnement), le circuit primaire est interrompu par le disjoncteur thermique interne. Le AP1020 n'offre aucune indication visible d'une telle condition. Le AP1020 a été conçu pour opérer sous des conditions extrêmes sans interrompre son fonctionnement. Si cela se produit, assurez-vous que les prises d'air ne sont pas obstruées.

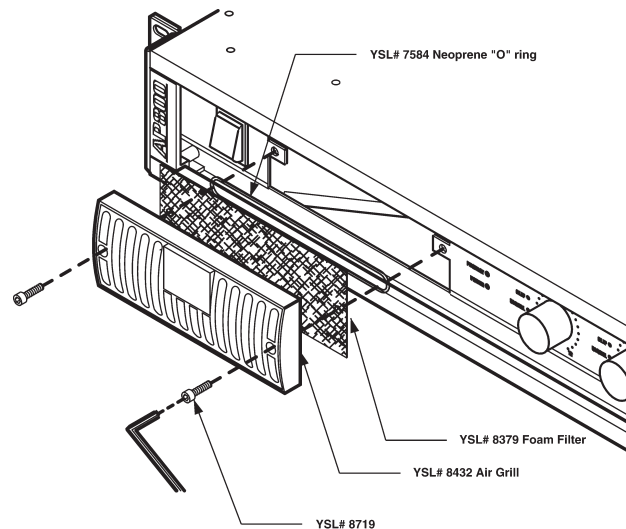
Refroidissement

Le ventilateur tire l'air froid par la facade et expulse l'air chaud à travers les bouches du panneau arrière. Ce système est compatible avec nos autres amplificateurs et avec la plupart des installations. Puisque l'air chaud se dirige naturellement vers le haut, l'air chaud qui sort des bouches d'aération tend à s'éloigner du rack. Ce système tire de l'air frais du sol vers le panneau avant du rack. Il peut être nécessaire d'installer des ventilateurs à l'arrière du rack si la circulation d'air est obstruée. un système de refroidissement additionnel n'est pas requis s'il n'y a pas d'obstruction.

Entretien du Filtre du Ventilateur

Le AP1020 est doté d'un filtre de ventilateur monté dans la prise d'air du panneau avant. La fiabilité de votre amplificateur augmentera avec le nettoyage régulier de ce filtre. Au premier signe d'obstruction, enlevez et nettoyez le filtre. Cela devrait se produire à des intervalles de 4 à 6 semaines dépendamment de l'usage et de l'environnement. Les filtres de remplacement sont peu couteux et peuvent être commandés chez les revendeur Yorkville autorisés. Si une inspection régulière n'est pas prévue, il est recommandé d'enlever le filtre. L'amplificateur peut opérer sans filtre mais devrait être nettoyé par un technicien qualifié lorsque la poussière devient visible sur les nageoires du dissipateur de chaleur.

Note: Dans un emplacement exceptionnellement poussiéreux, si vous ne prévoyez pas faire d'inspections régulières du filtre, enlevez le. Cela prolongera le temps de fonctionnement avant fermeture thermique.



ATTENTION: Opérer en pont, le AP1020 peut produire plus de 800 Watts de puissance. Les systèmes de haut-parleur haute puissance de Yorkville sont équipés d'un disjoncteur de protection. Quoiqu'ils puissent cesser temporairement de fonctionner, il est peu probable qu'ils soient endommagés par un AP1020 en pont. Toutefois, plusieurs fabricants produisent des cabinets haute puissance sans protection.

Yorkville Sound n'est responsable d'aucun dommage qui pourrait être causé par un excès de puissance appliqué sur des haut-parleurs incapables de la soutenir. La garantie inconditionnelle de deux ans de Yorkville ne couvre en aucun cas les dommages causés aux appareils ne provenant pas de Yorkville par suite d'un mal-fonctionnement. Veuillez S.V.P. considérer attentivement ces faits avant d'opérer votre AP1020 en pont.

DEL d'Écrêtage

Les DEL d'Écrêtage du panneau avant indique l'excursion au-delà de l'extention dynamique de l'amplificateur.

Fiabilité

L'AP1020 a été conçu par Yorkville Sound. Chaque appareil, subit une période de rodage minutieuse. Les circuitries sont de plus individuellement testées par des appareils sophistiqués contrôlés par ordinateur qui sont capables d'identifier toute déviation des paramètres originaux. Le AP1020 demeure conservateur par rapport à sa puissance nominale. L'étude des propriétés garantie que la contrainte thermique, et non les claquements secondaires déterminera la limite d'opération alors que le système de la dissipation de la chaleur assure la limitation des contraintes thermiques.

Branchements de Sorties

Le AP1020 est doté, pour ses prises de connexion de sortie pour haut-parleur, de bornes de raccordement à 5 directions, et de prises de branchement Speakon™ quatre contacts de Neutrik. Les branchements aux bornes de raccordements peuvent être fait à l'aide de fiches bananes insérées aux extrémités ou avec des fils dénudés insérés dans les trous des bornes.

Il y a deux connecteurs Speakon™ qui sont branchés aux sorties de l'amplificateur peu importe le mode d'opération (stéréo, mono ou en pont). Chaque connecteur de sortie Speakon™ (sortie A et sortie B) est branché en parallèle avec sa borne de raccordement respective pour opération à deux canaux – deux câbles (figure 1).

La sortie Speakon™ A peut aussi doublé comme sortie A et B/en pont. Ce connecteur Speakon™ contient les deux canaux en une sortie offrant ainsi une solution pratique lorsque vous désirez brancher

un haut-parleur à l'amplificateur en pont où le haut-parleur est branché aux prises positives de chaque canal. Pour opération en pont, réglez le commutateur à la position "Bridge" et branchez le haut-parleur aux tige +1 et +2 du connecteur Speakon™ (figure 3).

Pour opération avec haut-parleur Bi-amp, réglez le commutateur en mode stéréo et branchez le haut-parleur à la prise "bridge/bi-amp" en utilisant les quatre connexions. Vous brancherez ainsi les sorties "A" et "B" séparément au haut-parleur (figure 2). Vous trouverez les diverses configurations de branchement sur le panneau arrière de l'amplificateur.

Configuration de la Section de Puissance

AP1020 est pré-réglé à l'usine pour livrer un maximum de puissance avec une charge de deux ohms. Il est toutefois possible de régler votre AP1020 pour obtenir un maximum de puissance avec une charge de 4 ohms. Le sélecteur est situé au panneau arrière au-dessus du cordon d'alimentation. Pour éviter d'endommager la circuiterie de votre amplificateur, veuillez régler ce commutateur que lorsque l'alimentation est coupée. Cette caractéristique a été prévu pour les installations où la charge est connue. *Noter Bien:* Avec la configuration à 4-ohms, la charge minimum par canal est 4-ohms et la charge minimum pour l'opération en pont est 8-ohms. Tenter d'opérer l'amplificateur avec une charge de 2-ohms alors que l'amplificateur est en configuration pour 4-ohms forcera l'amplificateur à entrer dans les phases de limitage de courant, limitage du au surchauffage ou les deux.

Le tableau de spécification de Puissance à l'arrière de ce manuel montre les puissances qui peuvent être obtenu avec diverses configurations et charges.

Puissance de Sortie

Un Canal Utilisé

Charge (ohms)	1 kHz Moy. Cont.	1 kHz pointe	1 kHz Moy. Cont.	1 kHz pointe
	Mode 2-ohm	Mode 2-ohm	Mode 4-ohm	Mode 4-ohm
8	180	200	280	310
4	310	380	500	590
2	520	650	n/a	n/a

Deux Canaux Utilisés

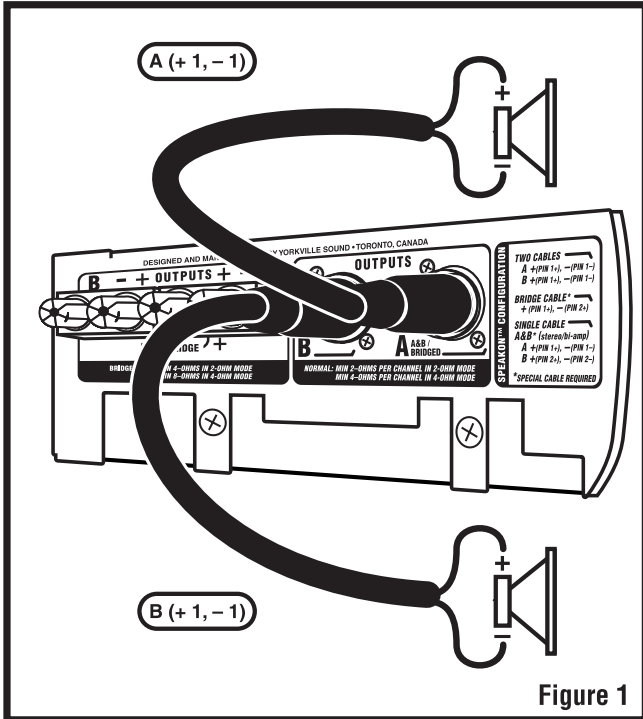
Charge (ohms)	1 kHz Moy. Cont.	1 kHz pointe	1 kHz Moy. Cont.	1 kHz pointe
	Mode 2-ohm	Mode 2-ohm	Mode 4-ohm	Mode 4-ohm
8	165	250	250	290
4	270	350	400	560
2	400	600	n/a	n/a

En Pont

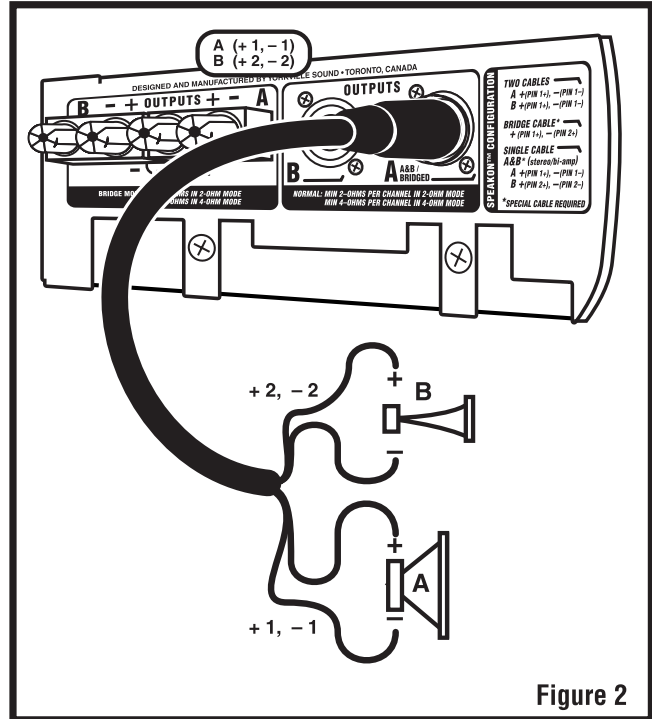
Charge (ohms)	1 kHz Moy. Cont.	1 kHz pointe	1 kHz Moy. Cont.	1 kHz pointe
	Mode 2-ohm	Mode 2-ohm	Mode 4-ohm	Mode 4-ohm
8	550	700	840	1100
4	840	1200	n/a	n/a
2	n/a	n/a	n/a	n/a

Toute valeur prise en **Watts** et faite avec 0.1% d'écrtage. Certaines mesures de **Puissance Moyenne Continues** exigent des courants de ligne exédant 15 ampères. L'amplificateur testé était branché à une source d'alimentation idéale **régularisée de 120 VCA RMS avec onde sinuzoidale de 60 Hz**. Lis lignes communes CA présenterons toujours des variations de courant imprévisibles. La ligne CA idéale nous a donc permit d'obtenir des mesures précises. Il sera normalement possible d'obtenir 800 Watts de votre AP1020 en pont avec une charge de 4-ohms lorsque branché à une ligne de CA commune. Les mesures de pointe sont faites avec une pointe de 1 kHz de 10 ms à un intervalle de 1/8 de seconde. La pointe de 1 kHz représente la puissance de sortie maximale avec onde sinuzoidale.

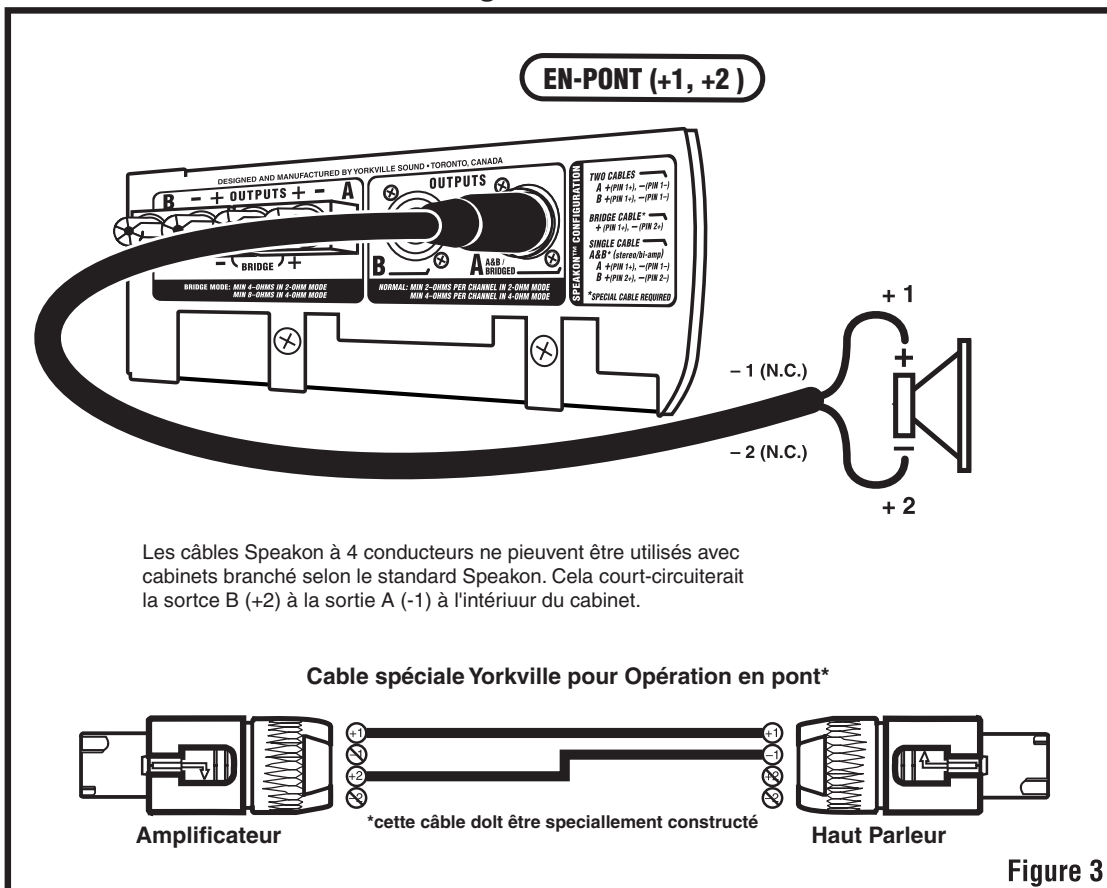
Configuration Deux Canaux



Configuration Bi-Amp



Configuration En-Pont



Specifications

Amplifier class	A / B
Coninuous Average Power @ 8 ohms BCD (Watts)	160 (x2) / 250 (x2)*
Coninuous Average Power @ 4 ohms BCD (Watts)	260 (x2) / 400 (x2)*
Coninuous Average Power @ 2 ohms BCD (Watts)	400 (x2) / NA*
Continuous Average Power Bridged BCD (Watts)	800 @ 4/8 ohms
Burst Average Power @ 8 ohms BCD (Watts)	200 (x2) / 320 (x2)*
Burst Average Power @ 4 ohms BCD (Watts)	360 (x2) / 560 (x2)*
Burst Average Power @ 2 ohms BCD (Watts)	600 (x2) / NA*
Burst Average Power Bridged BCD (Watts)	1200 @ 4 ohms / 1100 @ 8 ohms
Frequency Response (Hz, +/- 1dB)	20-20,000
Hum and Noise (un / Aweighted -dB)	-101 / -104
THD -1kHz- 4 ohms	0.01 %
THD - 20Hz-20kHz, 4 ohms	less than 0.1%
Slew Rate (V/uS)	20
Slew Rate Bridged (V/uS)	40
Damping Factor (30 Hz - 400 Hz @ 8 ohms)	300
Crosstalk (1kHz / 20Hz-20kHz)	-80 / -75 dB
Input Impedance - Bal/Unbal (ohms)	22,000/12,000
Input Sensitivity (Vrms) For Full Power Out	1.0/1.4 V *
Max Voltage Gain (dB)	29
CMRR @ 60Hz (min/typ)	48/56 dB
Stereo / Mono / Bridge (S/M/B)	S/M/B
Protection	DC, Load, Thermal
Limiter	Peak
High Pass Filter	40 Hz, 12dB Octave
Cooling	Internal Fan
Cooling Path	Front to Rear
Fan Filter	User Serviceable
Inputs - XLR	2
Inputs - 1/4-inch Jacks	2
Outputs - Speakon 4-pin	2
Outputs - Binding Post	2
Power Consumption (typ/max)	750/1440 Watts
Rack Spaces	2
Transformer Type	Toroidal
Exterior Finish	Baked, Black Painted
Other Features	* Max power into 2 ohms / Max power into 4 ohms
Dimensions (DWH /D fm ears, inches)	19 x 16.8 x 3.5 x 15.7
Dimensions (DWH /D fm ears, cm)	48.3 x 43 x 8.9 x 40
Weight (lbs / kg)	31.5 / 14.3

Spécifications

Classe d'amplificateur	A / B
Puissance Moyenne Continue @ 8 ohms DCF (Watts)	160 (x2) / 250 (x2)*
Puissance Moyenne Continue @ 4 ohms DCF (Watts)	260 (x2) / 400 (x2)*
Puissance Moyenne Continue @ 2 ohms DCF (Watts)	400 (x2) / NA*
Puissance Moyenne Continue En Pont (Watts)	800 @ 4/8 ohms
Puissance Moyenne d'Éclatement @ 8 ohms DCF (Watts)	200 (x2) / 320 (x2)*
Puissance Moyenne d'Éclatement @ 4 ohms DCF (Watts)	360 (x2) / 560 (x2)*
Puissance Moyenne d'Éclatement @ 2 ohms DCF (Watts)	600 (x2) / NA*
Puissance Moyenne d'Éclatement En Pont (Watts)	1200 @ 4 ohms / 1100 @ 8 ohms
Réponse en Fréquence (Hz, +/- 1dB)	20-20,000
Bruit et Bourdonnement (non / A Pondéré -dB)	-101 / -104
DHT -1kHz- 4 ohms	0.01%
DHT- 20Hz-20kHz, 4 ohms	Moins de 0.1%
Vitesse de propagation (V/μS)	20
Vitesse de propagation En Pont (V/μS)	40
Facteur d'Amortissement (30 Hz - 400 Hz @ 8 ohms)	300
Couplage parasite (1kHz / 20Hz-20kHz)	-80 / -75 dB
Impédance d'Entrée - symétrique/asymétrique (ohms)	22,000/12,000
Sensibilité d'Entrée (Vrms) pour pleine puissance à la sortie	1.0/1.4 V *
Gain maximum de voltage (dB)	29
Rapport de réjection en mode commun @ 60Hz (min/typ)	48/56 dB
Stéréo / Mono / En Pont (S/M/B)	S/M/B
Protection	CC, Charge, Thermique
Limiteur	Pointe
Filtre Passe Haut	40 Hz, 12 dB Octave
Refroidissement	Ventilateur Interne
Acheminement du Refroidissement	Devant à Arrière
Filtre du Ventilateur	Entrerient par l'Utilisateur (Filtre)
Entrées - XLR	2
Entrées - 1/4-pouce Jacks	2
Sorties - Speakon 4-tiges	2
Sorties - Borne de raccordement	2
Consommation de Puissance (typ/max)	750/1440 Watts
Espace requise pour montage en Rack	2
Type de Transformateur	Toroidal
Finis Extérieur	Peinture Noire Cuite
Autres Caractéristiques	* Puissance Max avec 2 ohms / Puissance Max avec 4 ohms
Dimensions (PLH /P fm ears, pouces)	19 x 16.8 x 3.5 x 15.7
Dimensions (PLH /P fm ears, cm)	48.3 x 43 x 8.9 x 40
Poids (livres/ kg)	31.5 / 14.3



AUDIOPRO

PROFESSIONAL SERIES

Volume Detents Fully Clockwise	db Gain Reduction*
0	0.0
1	0.0
2	0.0
3	0.0
4	0.6
5	2.1
6	3.5
7	4.7
8	5.8
9	6.9
10	8.0
11	8.8
12	9.9
13	10.7
14	11.6
15	12.3
16	12.9
17	13.3
18	13.7
19	14.1
20	14.5
21	15.0
22	15.5
23	15.9
24	16.3
25	16.9
26	17.4
27	18.0
28	18.6
29	19.5
30	20.4
31	21.4
32	22.7
33	24.1
34	26.1
35	28.1
36	33.0
37	42.5
38	∞
39	∞
40	∞

*typical

VOLUME CONTROL ATTENUATION SCALE

ap-detents-1v1.pdf July 17/2001



**Two
& Ten**

Two & Ten Year Warranty

Unlimited Warranty

Yorkville's two and ten-year unlimited warranty on this product is transferable and does not require registration with Yorkville Sound or your dealer. If this product should fail for any reason within two years of the original purchase date (ten years for the wooden enclosure), simply return it to your Yorkville dealer with original proof of purchase and it will be repaired free of charge. This includes all Yorkville products, except for the YSM Series studio monitors, Coliseum Mini Series and TX Series Loudspeakers.

Freight charges, consequential damages, weather damage, damage as a result of improper installation, damages due to exposure to extreme humidity, accident or natural disaster are excluded under the terms of this warranty. Warranty does not cover consumables such as vacuum tubes or par bulbs. See your Yorkville dealer for more details. Warranty valid only in Canada and the United States.

Garantie Illimitée

La garantie illimitée de deux et dix ans de ce produit est transférable. Il n'est pas nécessaire de faire enregistrer votre nom auprès de Yorkville Sound ou de votre détaillant. Si, pour une raison quelconque, ce produit devient défectueux durant les deux années qui suivent la date d'achat initial (dix ans pour l'ébénisterie), retournez-le simplement à votre détaillant Yorkville avec la preuve d'achat original et il sera réparé gratuitement. Ceci inclus tous les produits Yorkville à l'exception de la série de moniteurs de studio YSM, la mini série Coliseum et de la série TX.

Les frais de port et de manutention ainsi que les dommages indirects ou dommages causés par désastres naturels, extrême humidité ou mauvaise installation ne sont pas couverts par cette garantie. Cette garantie ne couvre pas les produits consommables tels que lampe d'amplificateur ou ampoules "PAR". Voir votre détaillant Yorkville pour plus de détails. Cette garantie n'est valide qu'au Canada et aux États Unis d'Amérique.

REAL Gear.
REAL People.



Canada U.S.A.

Voice: (905) 837-8481 Voice: (716) 297-2920
Fax: (905) 837-8746 Fax: (716) 297-3689

www.yorkville.com

Yorkville Sound Yorkville Sound Inc.
550 Granite Court 4625 Witmer Industrial Estate
Pickering, Ontario Niagara Falls, New York
L1W-3Y8 CANADA 14305 USA



WEB: www.yorkville.com

**WORLD HEADQUARTERS
CANADA**

Yorkville Sound
550 Granite Court
Pickering, Ontario
L1W-3Y8 CANADA

Voice: (905) 837-8481
Fax: (905) 837-8746

U.S.A.

Yorkville Sound Inc.
4625 Witmer Industrial Estate
Niagara Falls, New York
14305 USA

Voice: (716) 297-2920
Fax: (716) 297-3689



Quality and Innovation Since 1963

Printed in Taiwan R.O.C.