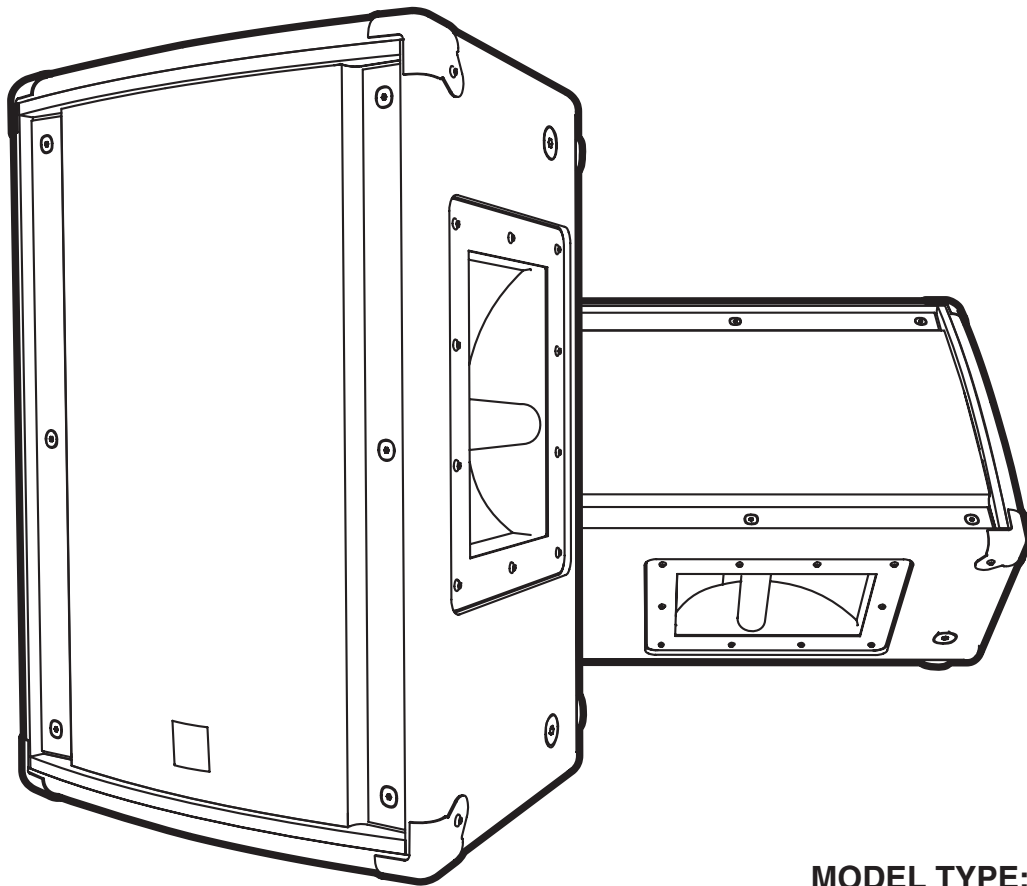




élite

OWNER'S MANUAL **MANUEL DE L'UTILISATEUR**



MODEL TYPE: YS1066

E10P

IMPORTANT SAFETY INSTRUCTIONS



This lightning flash with arrowhead symbol, within an equilateral triangle, is intended to alert the user to the presence of uninsulated "dangerous voltage" within the product's enclosure that may be of sufficient magnitude to constitute a risk of electric shock to persons.

Ce symbole d'éclair avec tête de flèche dans un triangle équilatéral est prévu pour alerter l'utilisateur de la présence d'un « voltage dangereux » non-isolé à proximité de l'enceinte du produit qui pourrait être d'ampleur suffisante pour présenter un risque de choc électrique.



S2125A

CAUTION AVIS

RISK OF ELECTRIC SHOCK
DO NOT OPEN

RISQUE DE CHOC ELECTRIQUE
NE PAS OUVRIR



The exclamation point within an equilateral triangle is intended to alert the user to the presence of important operating and maintenance (servicing) instructions in the literature accompanying the appliance.

Le point d'exclamation à l'intérieur d'un triangle équilatéral est prévu pour alerter l'utilisateur de la présence d'instructions importantes dans la littérature accompagnant l'appareil en ce qui concerne l'opération et la maintenance de cet appareil.

FOLLOW ALL INSTRUCTIONS

Instructions pertaining to a risk of fire,
electric shock, or injury to a person

CAUTION: TO REDUCE THE RISK OF ELECTRIC SHOCK, DO NOT REMOVE COVER (OR BACK).

NO USER SERVICEABLE PARTS INSIDE.

REFER SERVICING TO QUALIFIED SERVICE PERSONNEL.

SUIVEZ TOUTES LES INSTRUCTIONS

Instructions relatives au risque de feu,
choc électrique, ou blessures aux personnes

AVIS: AFIN DE REDUIRE LES RISQUE DE CHOC ELECTRIQUE, N'ENLEVEZ PAS LE COUVERT (OU LE PANNEAU ARRIERE) NE CONTIENT AUCUNE PIECE

REPARABLE PAR L'UTILISATEUR.

CONSULTEZ UN TECHNICIEN QUALIFIE POUR L'ENTRETIEN

Read Instructions: The Owner's Manual should be read and understood before operation of your unit. Please, save these instructions for future reference and heed all warnings.

Clean only with dry cloth.

Packaging: Keep the box and packaging materials, in case the unit needs to be returned for service.

Warning: To reduce the risk of fire or electric shock, do not expose this apparatus to rain or moisture. *Do not use this apparatus near water!*

Warning: When using electric products, basic precautions should always be followed, including the following:

Power Sources

Your unit should be connected to a power source only of the voltage specified in the owners manual or as marked on the unit. This unit has a polarized plug. Do not use with an extension cord or receptacle unless the plug can be fully inserted. Precautions should be taken so that the grounding scheme on the unit is not defeated.

Hazards

Do not place this product on an unstable cart, stand, tripod, bracket or table. The product may fall, causing serious personal injury and serious damage to the product. Use only with cart, stand, tripod, bracket, or table recommended by the manufacturer or sold with the product. Follow the manufacturer's instructions when installing the product and use mounting accessories recommended by the manufacturer.

The apparatus should not be exposed to dripping or splashing water; no objects filled with liquids should be placed on the apparatus.

Terminals marked with the "lightning bolt" are hazardous live; the external wiring connected to these terminals require installation by an instructed person or the use of ready made leads or cords.

Ensure that proper ventilation is provided around the appliance. Do not install near any heat sources such as radiators, heat registers, stoves, or other apparatus (including amplifiers) that produce heat.

No naked flame sources, such as lighted candles, should be placed on the apparatus.

Power Cord

Do not defeat the safety purpose of the polarized or grounding-type plug. A polarized plug has two blades with one wider than the other. A grounding type plug has two blades and a third grounding prong. The wide blade or the third prong are provided for your safety. If the provided plug does not fit into your outlet, consult an electrician for replacement of the obsolete outlet. The AC supply cord should be routed so that it is unlikely that it will be damaged. If the AC supply cord is damaged DO NOT OPERATE THE UNIT.

Unplug this apparatus during lightning storms or when unused for long periods of time.

Service

The unit should be serviced only by qualified service personnel.

Veillez Lire le Manuel: Il contient des informations qui devraient être comprises avant l'opération de votre appareil. Conservez. Gardez S.V.P. ces instructions pour consultations ultérieures et observez tous les avertissements.

Nettoyez seulement avec le tissu sec.

Emballage: Conservez la boîte au cas où l'appareil devait être retourner pour réparation.

Avertissement: Pour réduire le risque de feu ou la décharge électrique, n'exposez pas cet appareil à la pluie ou à l'humidité. *N'utilisez pas cet appareil près de l'eau!*

Attention: Lors de l'utilisation de produits électrique, assurez-vous d'adhérer à des précautions de bases incluant celle qui suivent:

Alimentation

L'appareil ne doit être branché qu'à une source d'alimentation correspondant au voltage spécifié dans le manuel ou tel qu'indiqué sur l'appareil. Cet appareil est équipé d'une prise d'alimentation polarisée. Ne pas utiliser cet appareil avec un cordon de raccordement à moins qu'il soit possible d'insérer complètement les trois lames. Des précautions doivent être prises afin d'éviter que le système de mise à la terre de l'appareil ne soit désengagé.

Risque

Ne pas placer cet appareil sur un chariot, un support, un trépied ou une table instables. L'appareil pourrait tomber et blesser quelqu'un ou subir des dommages importants. Utiliser seulement un chariot, un support, un trépied ou une table recommandés par le fabricant ou vendus avec le produit. Suivre les instructions du fabricant pour installer l'appareil et utiliser les accessoires recommandés par le fabricant.

Il convient de ne pas placer sur l'appareil de sources de flammes nues, telles que des bougies allumées.

L'appareil ne doit pas être exposé à des égouttements d'eau ou des éclaboussures et qu'aucun objet rempli de liquide tel que des vases ne doit être placé sur l'appareil.

Assurez que l'appareil est fourni de la propre ventilation. Ne procédez pas à l'installation près de source de chaleur tels que radiateurs, registre de chaleur, fours ou autres appareils (incluant les amplificateurs) qui produisent de la chaleur.

Les dispositifs marqués d'une symbole "d'éclair" sont des parties dangereuses au toucher et que les câblages extérieurs connectés à ces dispositifs de connexion extérieure doivent être effectués par un opérateur formé ou en utilisant des cordons déjà préparés.

Cordon d'Alimentation

Ne pas enlever le dispositif de sécurité sur la prise polarisée ou la prise avec tige de mise à la masse du cordon d'alimentation. Une prise polarisée dispose de deux lames dont une plus large que l'autre. Une prise avec tige de mise à la masse dispose de deux lames en plus d'une troisième tige qui connecte à la masse. La lame plus large ou la tige de mise à la masse est prévu pour votre sécurité. La prise murale est désuète si elle n'est pas conçue pour accepter ce type de prise avec dispositif de sécurité. Dans ce cas, contactez un électricien pour faire remplacer la prise murale. Évitez d'endommager le cordon d'alimentation. N'UTILISEZ PAS L'APPAREIL si le cordon d'alimentation est endommagé.

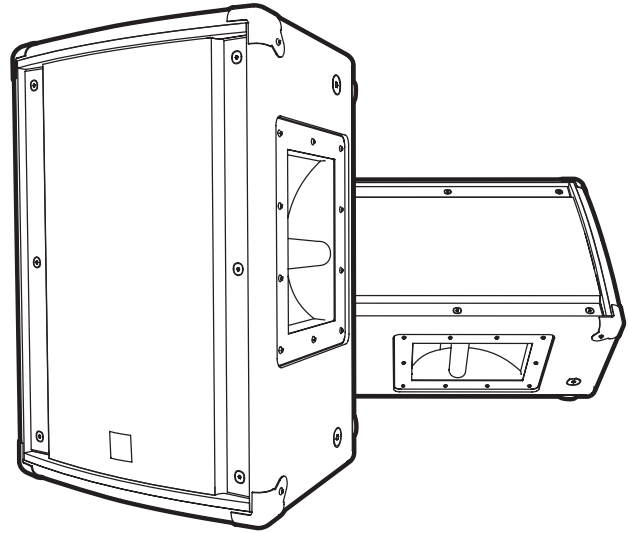
Débranchez cet appareil durant les orages ou si inutilisé pendant de longues périodes.

Service

Consultez un technicien qualifié pour l'entretien de votre appareil.

E10P Powered Speaker

Power, superb sound quality, compactness, durable reliability and amazing versatility are at your fingertips. The E10P is an advanced, compact two-way powered speaker designed for a wide variety of pro-audio applications. Innovative processing is built-in to ensure optimum performance and clarity, including the ability to electronically reduce feedback. The lightweight, low-noise 300-Watt Class-D amplifier for the woofer is complemented by a two-tier 50-Watt amplifier for the horn (providing exceptionally clear and linear high-frequency response). An active crossover for the amplifiers ensures that the woofer and horn operate optimally; meanwhile, separate non-defeatable limiters protect those drivers from excessive peaks and over-powering. The drivers themselves are from one of the world's premier manufacturers offering an extended lifetime of smooth, powerful performance.



Versatility is the E10P

By designing the cabinet with an angled side and a stand adapter we made it possible for the E10P to be used either as part of your main system or as a stage monitor. For even more versatility, the E10P converts from a main/monitor system to a micro-PA. At the touch of a button it becomes capable of directly accepting a dynamic microphone. The 3-stage anti-feedback feature and bass/treble EQ make both system and micro-PA usage even more convenient. For use with a powered subwoofer, simply push another button on the E10P and all frequencies below 100 Hz are rolled off steeply. Result – no need for a crossover.

We are confident you will find the E10P a worthy mainstay for sound applications of all types and sizes.

The following section will help you to realize the E10P's full capabilities.

1. Power Switch and Indicator

The green power LED illuminates when the power switch is turned to the On position and AC voltage is supplied.

2. Input Jacks

This female-XLR / ¼-inch TRS combi-jack accepts either microphone or ¼-inch TRS patch cables. For best noise reduction, use balanced cables, however unbalanced ¼-inch TS cables can be used for unbalanced signal sources. Alternatively, a dynamic microphone can be directly connected here.

Note: Both ¼-inch and XLR inputs have identical functionality.



3. Link

This XLR male connector can be used with a standard XLR cable (XLR microphone cable for interconnecting E10Ps in a multi-speaker system. In Line Mode, (see Mic/Line Pushbutton below) up to ten (10) E10Ps can be interconnected without signal degradation.

Note: While it is possible to link E10Ps in Mic mode, it is recommended to use Line mode for best, noise-free performance. The number of E10Ps that can be linked in Mic mode depends on the degree of electrical interference present in the area and on the AC wiring.



4. Mic/Line Pushbutton Switch

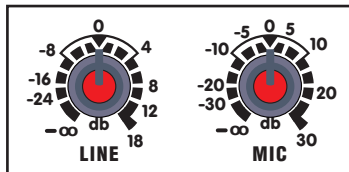
This pushbutton switch selects the correct type of input impedance and gain for either a line-level signal or a microphone level signal. Depress the switch for microphone signal level.

5. E10P Level Control

This control adjusts the volume level of the E10P relative to the input signal level. Mixers and other audio sources connected to the E10P tend to have different output voltages, which means the level control on the E10P is used to fine tune the cabinet's volume relative to the mixer settings. It is perfectly acceptable to set the E10P Level above or below the center 0 dB setting. Normal operation will be within the highlighted range, between 10 o'clock and 2 o'clock.



Note: The operational scale of the Level control changes with Line or Mic operation (see Mic/Line above). This allows the control to be finely adjusted in Line mode while having more range in Mic mode. In Line mode, the control should normally be set in the 0 position and the operating Level set at the source (such as the mixer or other line-level audio source). Although Level control operation below -8 or above +4 is acceptable, it can make the system more susceptible to noise or dynamic range problems (e.g. distortion). Setting the control to 0 will result in full power from a +4 dBv signal. This matches the industry standard for level meter calibration, although this typically varies with the type of program material being played. Mic operation will normally work well with settings between -10 and +10 with 0 being a good starting point. The figures below show the dB gain changes with control position.



Level Control

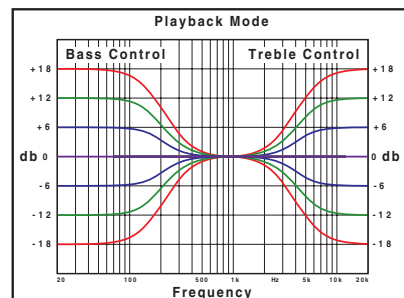
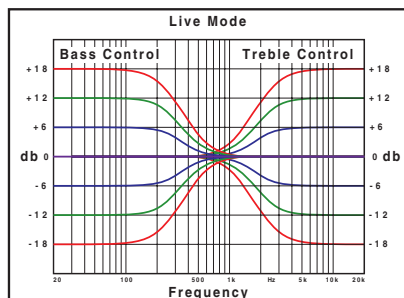
6. Tone Controls

The tone controls of the E10P have been specially designed to allow greater tonal range and flexibility for the type of audio being used, and the Live/Playback Mode pushbutton sets the frequency ranges over which the Treble and Bass operate.

In Live mode the frequencies were chosen deliberately to include the vocal range; while in the Playback mode, the vocal range is intentionally unaffected. It is certainly acceptable to use either mode to get the desired effect. In Live mode the Treble control is set to 1.5 kHz and the Bass control is set at 350 Hz. In Playback mode the Treble control is set to 4 kHz and the Bass control is set at 200 Hz.



Note: The tone controls are designed with a 2-pole characteristic enabling greater control of a specific frequency range. The slope of the curve for the affected region is also better suited for adjustments and have a range of +/- 18 dB (center position being neutral). Typical tone controls have up to a +/- 12 dB range and affect the extremes of frequency much more than frequencies closer to the middle of the audio range. This greater range and frequency range shelf lets you shape the frequencies that matter the most. The 2-pole characteristic, along with the +/- 18 dB range make these controls very powerful. Normally only very small adjustments will be necessary. Most often, the system will work best with the tone controls set to the mid position.





Tech Note: The transition from the unaffected frequencies to the affected region is faster. This is illustrated in the figures. One key benefit to the 2 pole controls is that usually the desired frequencies can be affected without causing an increased boost at other frequencies resulting in feedback.

Note: The E10P will work more effectively if large EQ boosts are avoided. This is a general rule-of-thumb for speakers, not something solely related to the E10P.

7. Live/Playback Mode Pushbutton Switch

This switch selects between two EQ presets, Live and Playback. The Live preset provides optimal response throughout the vocal and instrumental range of frequencies and is best for reproduction of live music. For pre-recorded music, select the Playback setting which de-emphasizes the mids. Feel free to experiment in either case.



Tech Note: The live/playback switch also changes the limiter operation. In the live mode the horn and woofer limiters operate independently. This allows each driver to reach maximum power before limiting. In the playback mode an additional limiter is located before the crossover. This keeps the sound in balance as the limiting increases. When operating in limiting the horn is typically louder in the live switch position. When reproducing prerecorded (or heavily processed) music along with significant equalization, placing the switch in the live position may improve the sound quality.



Note: The Live/Playback Mode switch affects the tone control characteristics, see section 6. Tone Controls for more information.

8. Clip and Limit Indicators

The Clip and Limit LED indicators illuminate to guide the user to proper operating levels.

The red Clip LED indicates that the input level is excessive and further increases in level will cause severe distortion. This happens at a very high input signal level. The mixer's level settings should be reduced immediately until Clip activity ceases. Illumination of the yellow Limit LED indicates that a level has been reached where the E10P limiters are reducing the signal internally to prevent damage or distortion. It also indicates that further increases in input level or increasing the E10P Level control position will not appreciably increase acoustic output.



Note: Operation well into limiting may result in feedback if the level is reduced. What happens is the limiters stop working and the E10P's gain goes back up. However, it should be noted that normal operation at full-power is indicated by the Limit LED being lit occasionally.

9. LF Rolloff Pushbutton Switch

The LF Rolloff switch selects a high-pass (low-cut) frequency of either 65 Hz or 100 Hz. When using the E10P without a subwoofer, it's best to select 65 Hz. When using the E10P with a subwoofer, select 100 Hz. Most powered subs have their low-pass filter set at around 100 Hz. If yours is variable, set it at 100 Hz for use with the E10P.

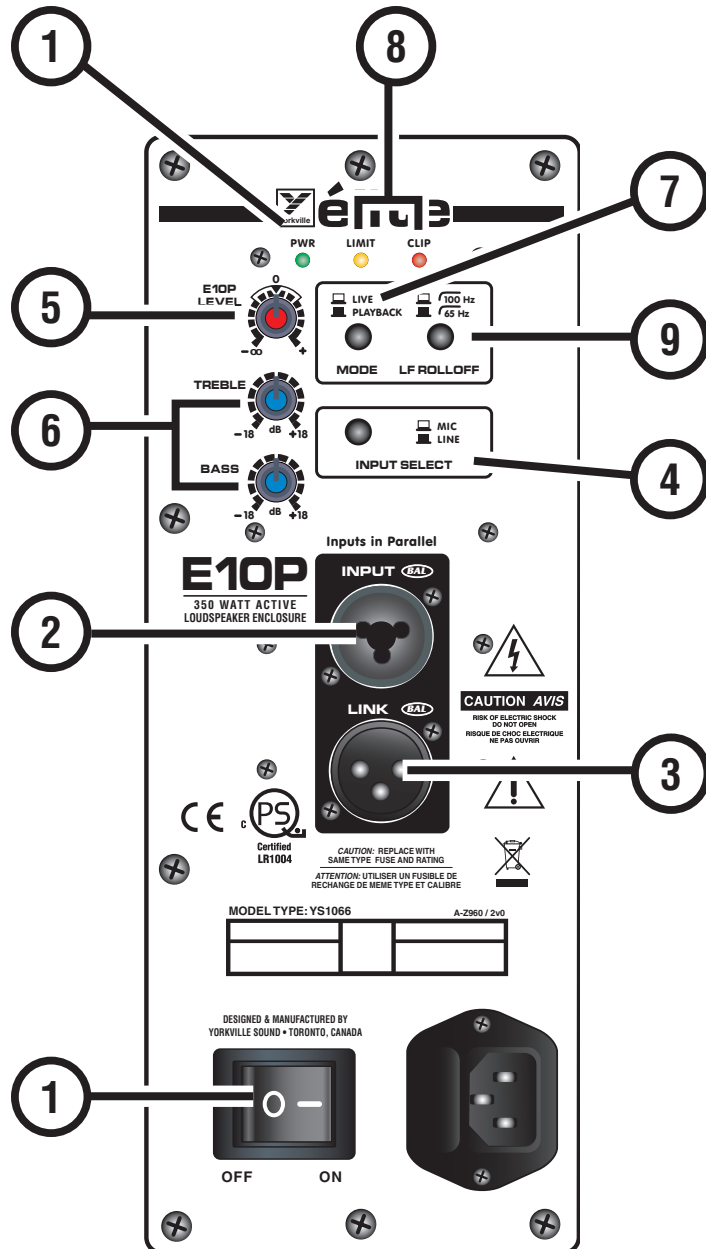


Set-Up Example

1. Place the E10P on a stand or on the floor and plug the power cord into the AC outlet (see Voltage Selector Rotary Switch).
2. Using a balanced or unbalanced shielded cable, connect the left or right line-level (not speaker level) output of your mixer to the Input connector. You may alternatively connect a dynamic microphone here.

Note: If you are using a mono setup, connect the mono line-level output from your mixer to the Input jack on the E10P.

3. Be sure the Mic/Line push-button is set appropriately – Select Line if you are connecting a mixer, Mic if you are connecting a dynamic microphone.
4. Set the Live/Playback pushbutton switch as required for the application – Live for music that is performed live, Playback for pre-recorded music. During the sound check you might try experimenting with these settings, as they are not set in stone.
5. It's best to set the Level, Treble and Bass controls at the center position initially.
6. Perform your sound-check and adjust the Level, Bass and Treble in conjunction with mixer control settings for optimum volume and tone.
7. For stand-alone use of the E10P without a subwoofer, set the LF Rolloff switch to the 65 Hz setting. When using the E10P with a subwoofer, depress this pushbutton to the 100 Hz setting.
8. When using the E10P with a mixer, set your mixer levels and EQ during the sound check, turn the board's masters up as far as you expect them to go during the performance and then check the E10P Limit and Clip indicators. It is acceptable for the Limit lights to illuminate frequently, however if the Clip indicator illuminates frequently or the Limit indicator stays on continuously, turn down the mixer until this condition is reduced or ceases. That will be your maximum level setting.





élite E10P

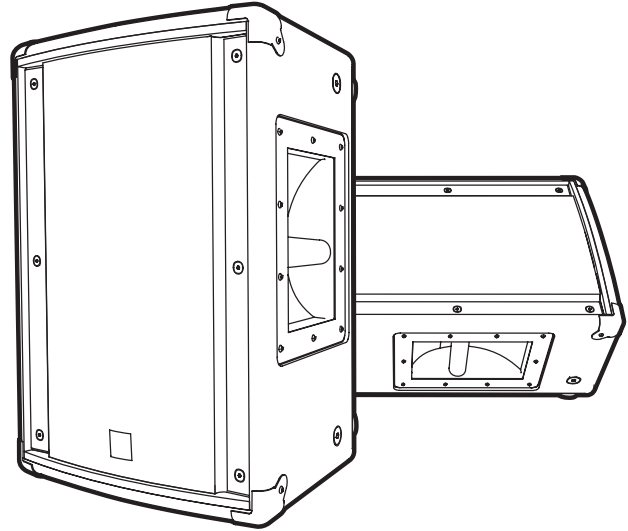
350 WATT ACTIVE LOUDSPEAKER ENCLOSURE

Specifications

Model:	E10p
System Type:	powered loudspeaker
Active or Passive:	Active
Program Power (Watts):	350
Biamp Operation Only:	Internally biamped
Frequency Response (Hz +/- 3db):	65 to 20k
Crossover Frequency (Hz):	1500
Driver Configuration:	2 way
HF Driver(s):	1 inch
HF Program Power (Watts):	50
HF Impedance (ohms):	8
HF Dispersion (*H x *V):	100 x 25
LF Driver(s):	10 inch
LF Program Power(Watts):	300
LF Impedance(ohms):	4-ohms
LF Protection:	excursion and RMS
Total Power (Watts):	350
HF Power Amplifier (Watts):	50
HF Processing:	peak and average limiting
LF Power Amplifier (Watts):	300
LF Processing:	peak and average limited, boost limited with multi slope curve
Cooling Scheme:	convection
Power Cable:	removable IEC
Power Switch:	yes
Power Consumption (typ/max):	120 va/200va
Inputs - 1/4-inch Jacks:	1 combi w xlr
Inputs - XLR:	1 combi w 1/4 inch
Input Impedance (Bal/UnBal):	4k ohms / 2k ohms
Input Sensitivity (Vrms Sine):	Line in 1.4 w control at center 0.35 at max Mic in -50 dBv @ max
Level Controls:	1, curve changes in mic or line mode
EQ Controls:	Bass and Treble
Limiter:	peak and average on horn and woofer, boost limited with multi slope curve
LED Indicators:	power, clip, limit
Other Controls / Features:	Dynamic 75 Hz boost, tone control frequencies and slopes differ in live/rec mode, sub/no sub switch, live recorded eq mode switch
Corners:	8
Feet:	4
Flying Hardware:	4 Flypoints - 2 Top + 2 Bottom + Pull back
Included Hardware:	1/4-20
Bar Handles:	1
Pole Mount Adapter (1 3/8-inch/3.5cm):	yes
Enclosure Materials:	15mm (5/8inch) 11-ply Russian Birch
Port(s):	1, located on rear
Grille:	Perforated Metal
Covering / Finish:	Black Ozite (Carpet)
Optional Covering / Finishes:	Black Ultrathane Paint (E10PB)
Processor (optional):	Internally biamped
Dimensions (DWH xbackW, inches):	12 x 13 x 18.5 x 5.5
Dimensions (DWH xbackW, cm):	30 x 33 x 45 x 14
Weight (lbs/kg):	34/15.5

E10P

Puissance, superbe qualité sonore, dimension compact, fiabilité, polyvalence incroyable sont toutes des caractéristiques offertes par le E10P. Le E10P est une enceinte amplifiée compacte deux voix à la fine pointe de la technologie conçue pour une grande variété d'applications audio professionnelles. Un processing innovateur est intégré pour assurer une clarté et performance optimale, incluant l'habilité de réduire électroniquement le feedback. L'amplificateur léger Classe D de 300-Watt avec niveau de bruit faible pour le woofer est jumelé à un amplificateur deux-tiers de 50-Watt pour le pavillon (offrant une réponse en fréquences exceptionnelles, claire et linéaire pour les fréquences aiguës). Un filtre de coupure actif pour les amplificateurs assure l'opération optimale du woofer et du pavillon alors que des limiteurs non-commutables séparés protègent ces drivers des pointes excessives et de la surpuissance. Les drivers eux-mêmes nous proviennent d'un des fabricants les plus renommés au monde et ils offrent une grande longévité de performance à la fois agréable à écouter et puissante.



La Polyvalence C'est le E10P

Grâce à sa conception à angle sur le côté et à son adaptateur pour stand, il est possible d'utiliser le E10P soit en tant que partie du système principal ou en tant que retour de scène. Pour une polyvalence encore plus grande, le E10P peut aussi passer de système principal ou retour de scène à un micro système de sonorisation. Au simple toucher d'un bouton, il permet le branchement direct d'un microphone dynamique. Sa caractéristique anti-feedback à trois étages et ses contrôles d'égalisation pour graves et aiguës facilitent son usage en tant que système principal ou micro système. Pour utilisation avec subwoofer amplifié, appuyez simplement sur un autre bouton du E10P et une pente de diminution abrupte est introduite réduisant ainsi le niveau des fréquences en-dessous de 100 Hz. Résultat – pas besoin d'un filtre séparateur.

Nous sommes confiants que votre E10P vous sera un outil de travail utile pour les applications de sonorisation de tous les types et de toutes les tailles

La section suivante vous aidera à réaliser le plein potentiel du E10P.

1. Commutateur d'Alimentation et Indicateur

La DEL verte d'alimentation s'illumine lorsque l'appareil est mis en marche et la tension d'alimentation CA est appliquée.

2. Prises d'Entrées

Le combi-jack femelle-XLR / ¼-pouce PBM accepte soit le raccordement d'un microphone ou le raccordement d'un câble avec fiche ¼-pouce PBM. L'utilisation de câble symétrique offrira la meilleure performance signal/bruit mais vous pouvez aussi utiliser les branchements avec câbles asymétriques ¼-pouce PM pour les sources avec signal asymétrique. Le raccordement direct d'un microphone dynamique à cette prise est aussi possible.



Note: Les prises d'entrées ¼-pouce et XLR offrent des caractéristiques fonctionnelles identiques.

3. Link

Ce connecteur de type XLR mâle peut être utilisé avec des câbles avec prise XLR standards (câble pour microphone XLR pour le raccordement de plusieurs E10P dans un système à plusieurs enceintes à haut-parleur). Lorsqu'en mode "Line," (voir la section commutateur bouton poussoir Mic/Line ci-dessous) jusqu'à dix (10) E10P peuvent être raccordés sans dégradation de signal.



Note: Quoiqu'il soit possible de relier plusieurs E10P en mode 'Mic,' l'utilisation du mode 'Line' est recommandé pour l'obtention d'une performance optimale sans bruit. Le nombre de E10P qui peuvent être reliés lorsqu'en mode 'Mic' dépend du degré d'interférence électrique présent dans la région et du câblage d'alimentation CA.

4. Commutateur Bouton Poussoir "Mic/Line"

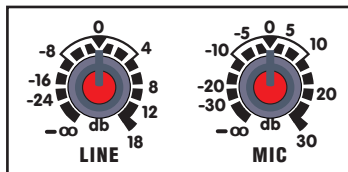
Ce commutateur de type bouton poussoir sélectionne le bon type d'impédance d'entrée et de gain pour soit les signaux de niveau ligne ou les signaux de niveau microphone. Appuyez sur le bouton pour le fonctionnement avec signaux de niveau microphone.

5. Contrôle de Niveau E10P

Ce contrôle ajuste le niveau du volume du E10P relativement au niveau du signal d'entrée. Les tables de mixage et autres sources audio raccordées au E10P ont tendance à avoir des niveaux de sortie différents. Par conséquent le contrôle de volume du E10P est utilisé pour régler avec précision le volume de l'enceinte relativement aux réglages de la table de mixage. Il est parfaitement acceptable de régler le niveau du volume du E10P au-dessus ou au-dessous du réglage central de 0 dB. Le réglage pour opération normale sera habituellement à l'intérieur de la bande soulignée, entre 10 heures et 2 heures.



Note: La gamme opérationnelle du contrôle de niveau change selon le mode d'opération (Line ou Mic – voir la section Mic/Line ci-dessus). Cela permet l'ajustement précis du contrôle lorsqu'en mode 'Line' tout en ayant une gamme plus étendue lorsqu'en mode 'Mic.' Lorsqu'en mode 'Line,' ce contrôle devrait normalement être réglé à la position 0 et le niveau d'opération devrait être réglé à partir de la source (table de mixage ou autres source audio de niveau ligne). Alors que l'opération avec contrôle de niveau en-dessous de 8 ou au-dessus +4 est acceptable, cela pourrait rendre le système plus susceptible aux bruits et pourrait causer des difficultés du point de vue extension dynamique (e.g. distorsion). Un réglage du contrôle à 0 résultera en une pleine puissance avec un signal d'entrée de +4 dBV conformément aux standards de l'industrie en ce qui a trait à la calibration de vumètre de niveau. Notez toutefois que cela pourrait varier selon le type de programme musical utilisé. L'opération avec microphone devrait normalement bien fonctionner avec des réglages entre -10 et +10 avec 0 étant un bon point de départ. Les figures ci-dessous montrent le changement de gain en dB relativement à la position du contrôle.



Contrôle de Niveau

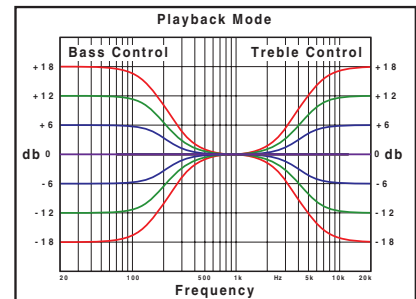
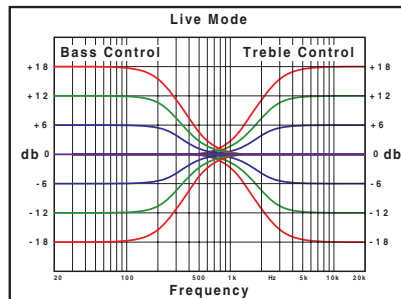
6. Contrôles de Tonalité

Les contrôles de tonalité du E10P ont été spécialement conçus pour permettre une plus grande gamme de tonalité et une grande polyvalence pour le type de programme audio étant utilisé. Le commutateur 'Live/Playback Mode' règle la gamme de fréquences opérée par les contrôles de graves et d'aiguës.

En mode Live, les fréquences ont été délibérément choisies pour inclure la gamme de fréquence couverte par la voix alors que lorsqu'en mode Playback, la même gamme de fréquences demeure intentionnellement inaffecté. Il est certainement acceptable d'utiliser l'un ou l'autre des modes pour obtenir l'effet désiré. En mode Live le contrôle d'aiguës est réglé à 1.5 kHz et le contrôle des graves à 350 Hz. En mode Playback le contrôle d'aiguës est réglé à 4 kHz et le contrôle des graves à 200 Hz.



Note: Les contrôles de tonalité ont été conçus avec caractéristique à deux pôles permettant un meilleur contrôle d'une gamme spécifique de fréquence. L'inclinaison de la courbe pour la région affectée est aussi plus appropriée pour les ajustements et possède une gamme de +/-18 dB (position centrale étant neutre). Généralement, les contrôles de tonalité couvrent une gamme de réglage de +/-12 dB et ils affectent les fréquences extrêmes beaucoup plus que les fréquences plus proche du milieu de la gamme audio. Cette plus grande gamme de niveau plus grande plage de fréquences permet le façonnement de fréquences les plus appropriées. Ces contrôles de tonalité sont très puissants grâce à la caractéristique à deux pôles, jumelé à la gamme de réglage de +/- 18 dB. Seuls des ajustements mineurs seront normalement nécessaires. Plus souvent qu'autrement, le système offrira une performance optimale avec les contrôles de tonalité réglés à la position centrale.



Note Technique: La transition à partir des fréquences inaffectées aux régions des fréquences affectées est plus rapide. Ceci est illustré dans les figures ci-dessous. Un bénéfice important des contrôles à deux pôles est que généralement la gamme de fréquence qui est traitée peut être affectée sans causer une augmentation de niveau à d'autres fréquences qui pourraient résulter en feedback.

Note: Même si le E10P est équipé d'un contrôle de feedback, il fonctionnera de façon plus efficace si vous évitez les augmentations importants avec l'égalisateur. C'est une règle générale lorsque vous travaillez avec des haut-parleurs, et non quelque chose qui ne s'applique qu'au E10P.

7. Commutateur à Bouton Poussoir Live/Playback Mode

Ce commutateur permet de choisir entre deux préréglages d'égalisation, Live et Playback. Le préréglage Live offre une réponse optimale à travers la gamme de fréquences de la voix et des instruments. Ce préréglage Live est le meilleur choix pour la reproduction de musique Live. Pour les programme de musique préenregistrée, sélectionnez le réglage Playback qui désémphase les fréquences médianes. Vous pouvez bien-sûr expérimenter dans les deux cas et choisir le mode désiré.



Note Technique: Le commutateur live/playback change aussi l'opération du limiteur. En mode Live, les limiteurs de pavillon et de woofer fonctionnent indépendamment. Cela permet à chaque driver d'atteindre sa puissance maximum avant que le limiteur soit engagé. En mode Playback un limiteur additionnel est situé avant le filtre séparateur. Cela assure une bonne balance sonore à mesure que la fonction de limite augmente. Lors de l'opération avec le limiteur engagé le pavillon est généralement plus fort quand le commutateur est à la position Live. Lors de la reproduction d'un programme musicale préenregistré (ou fortement traité) avec des réglages d'égalisation importants, le réglage du commutateur à la position Live pourrait améliorer la qualité du son.



Note: Le commutateur Live/Playback Mode affecte les caractéristiques des contrôles de tonalité, voir la section 6. Contrôle de tonalité pour plus d'information.

8. Indicateurs Clip et Limite

Les DEL indicatrices Clip et Limite s'illuminent pour guider l'utilisateur relativement au niveau d'opération appropriés.

La DEL Clip rouge indique que le niveau d'entrée est excessif et une augmentation additionnelle de niveau causera la distorsion sévère. Cela se produit avec de très haut niveau de signal d'entrée. Dans un tel cas, réduisez le niveau de sortie de la table de mixage immédiatement et/ou réduisez le niveau du contrôle de volume du E10P jusqu'à ce que l'activité de la DEL ait complètement cessé.

L'illumination de la DEL jaune indique que le niveau a été atteint ou les limiteurs du E10P réduisent l'amplitude du signal pour prévenir les dommages ou la distorsion. L'activité de la DEL jaune indique aussi que des augmentations ultérieures du niveau d'entrée ou une augmentation du contrôle de niveau sur le E10P ne résulteront pas en une augmentation appréciable du niveau de sortie acoustique.



Note: L'opération avec un grand niveau de limitation pourrait résulter en feedback si le volume était réduit. Dans un tel cas, les limiteurs cessent de fonctionner et le gain du E10P est augmenté à nouveau. Notez toutefois que l'opération normale à pleine puissance est indiquée par la DEL limit qui s'illumine occasionnellement.

9. Commutateur de Pente de Réduction pour Fréquences Graves

Le commutateur de pente de réduction pour fréquences graves active un filtre passe-haut (coupe des graves) à partir de 65 Hz ou de 100 Hz. Quand vous utilisez le E10P sans subwoofer, il est préférable de sélectionner 65 Hz. Quand vous utilisez le E10P avec un subwoofer, sélectionnez 100 Hz. La plupart des subwoofers amplifiés sont équipé d'un filtre passe-bas pré-réglé à environ 100 Hz. Si le votre est variable, réglez-le à 100 Hz pour l'utilisation avec le E10P.

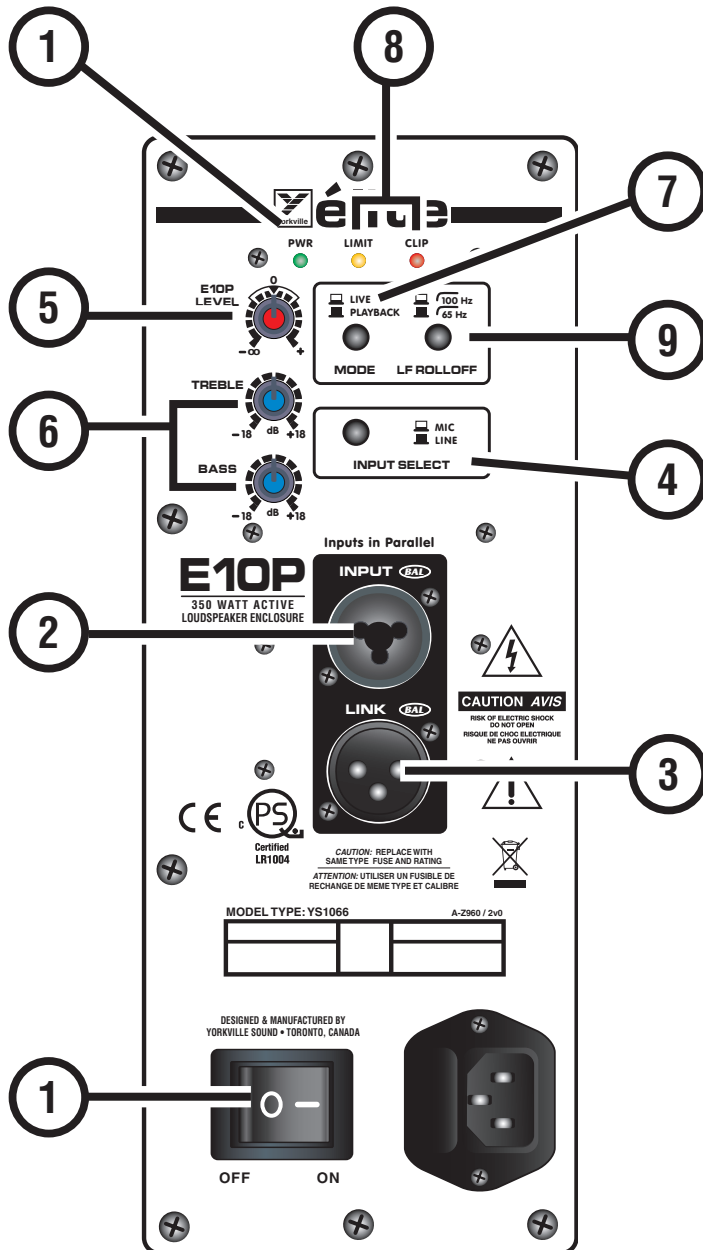


Exemple d'Installation

1. Placez le E10P sur un stand ou sur le plancher et raccordez le cordon d'alimentation à une prise CA (voir Sélecteur rotatif de voltage).
2. A l'aide d'un câble blindé symétrique ou asymétrique, branchez la sortie ligne de gauche ou droite (pas la sortie pour haut-parleur) de votre mixeur au connecteur d'entrée du E10P. Vous pouvez aussi brancher un microphone dynamique à cette prise d'entrée.

Note: Si votre installation est mono, branchez la sortie ligne mono de votre mixeur à la prise d'entrée du E10P.

3. Assurez-vous que le bouton Mic/Line est à la position appropriée – Sélectionnez 'Line' si vous branchez un mixeur, 'Mic' si vous branchez un microphone dynamique.
4. Réglez le commutateur Live/Playback à la position requise pour votre application – 'Live' pour les performances live, 'Playback' pour la musique préenregistré. Vous pouvez expérimenter avec ces réglages durant le test de son. Ils ne sont pas coulés dans la pierre.
5. Il est préférable de commencer avec un réglage central pour les commandes de Niveau, Aiguës et Graves.
6. Effectuez le test de son et ajustez le niveau, les graves et les aiguës en conjonction avec les réglages des contrôles sur le mixeur pour l'obtention d'un volume et d'une tonalité optimale.
7. Pour les applications où vous n'utilisez que le E10P sans subwoofer, réglez le commutateur LF Roll-off à la position 65 Hz. Quand vous utilisez le E10P avec un subwoofer, appuyez sur le bouton pour obtenir le réglage de 100 Hz.
8. Quand vous utilisez le E10P avec un mixeur, réglez les niveaux et contrôles d'égalisation du mixeur durant le test de son, ajustez le volume principal du mixeur ou niveau le plus élevé que vous croyez devoir atteindre durant la performance et vérifiez ensuite les indicateurs 'Limit' et 'Clip' du E10P. L'illumination fréquente de l'indicateur 'Limit' est acceptable, vous devrez toutefois réduire le volume au mixeur si son illumination est continue ou si l'indicateur 'Clip' s'illumine fréquemment. Dans ce cas, réduisez le volume du mixeur jusqu'à ce que la situation soit rectifiée. Vous aurez alors atteint le volume maximum.





élite E10P

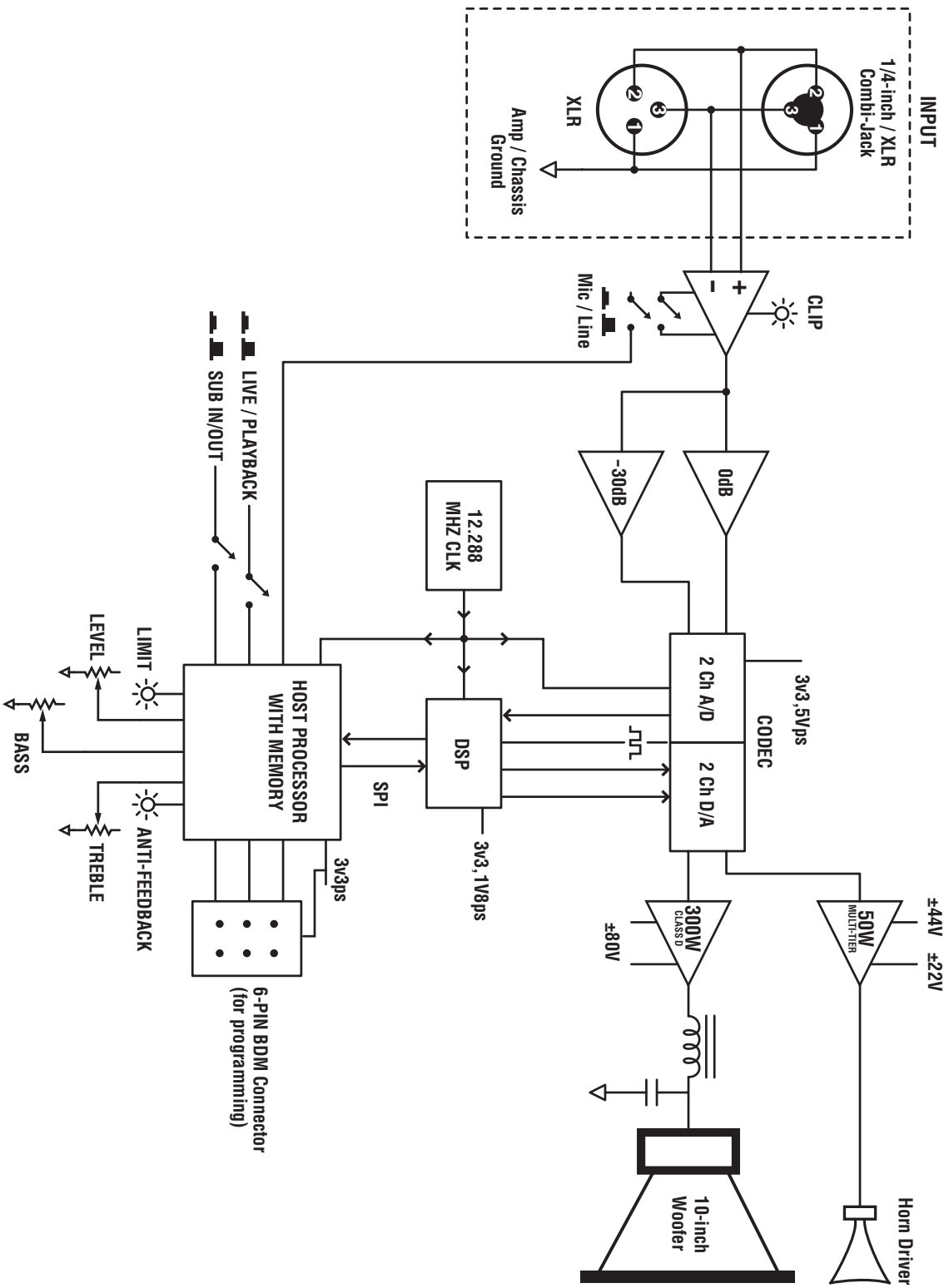
350 WATT ACTIVE LOUDSPEAKER ENCLOSURE

Spécifications

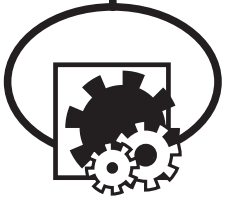
Modèle:	E10p
Type de Système:	Enceinte amplifiée à haut-parleur
Actif ou Passif:	Actif
Puissance nominale (Watts):	350
Opération en mode de Biamplication Seulement:	Biamplication interne
Réponse en Fréquence (Hz +/- 3db):	65 to 20k
Fréquence de coupure(Hz):	1500
Configuration de Drivers:	2 voix
Driver(s) Hautes Fréquences:	1 pouce
Puissance Nominale pour les HF (Watts):	50
Impédance HF (ohms):	8
Dispersion HF (°H x °V):	100 x 25
Driver(s) Basses Fréquences :	10 pouces
Puissance Nominale BF (Watts):	300
Impédance BF (ohms):	4 ohms
Protection BF :	excursion et RMS
Puissance Totale (Watts):	350
Amplificateur De Puissance HF (Watts):	50
Processing HF :	Limitation de Pointe et de moyenne
Amplificateur de Puissance BF (Watts):	300
Processing LF :	Limitation de Pointe et de moyenne, Limiteur boost avec multiple pente d'atténuation
Système de refroidissement:	Convection
Cordon d'Alimentation:	IEC amovible
Commutateur de mise en marche:	Oui
Consommation de Puissance (typ/max):	120 va/200va
Entrées – Prises 1/4-pouce :	1 combi avec xlr
Entrées - XLR:	1 combi avec 1/4 pouce
Impédance d'Entrée (Sym/Asym):	4k ohms / 2k ohms
Sensibilité d'entrée (Vrms Sine):	Entrée ligne 1.4 avec contrôle au centre 0.35 au max Entrée Mic -50 dBv @ max
Contrôles de Niveau:	1, courbe change selon le mode utilisé (mic ou line)
Contrôles d'Égalisation:	Graves et Aiguës
Limiteur:	Pointe et moyenne sur le pavillon et le woofer, Limiteur boost avec multiple pente d'atténuation
DEL Indicatrices:	Alimentation, clip, limit
Autres Contrôles / Caractéristiques:	Dynamique boost 75 Hz, fréquence des contrôles de tonalité et courbe de réponse Différent en mode live/rec, sélecteur sub/sans sub, Sélecteur d'égalisation pour modes Live/préenregistré
Coins:	8
Pieds:	4
Quincaillerie de suspension:	4 point de suspension - 2 dessus + 2 dessous + tire
Quincaillerie incluse:	1/4/2020
Poignés:	1
Adaptateur pour montage sur pôle (1 3/8-)	Oui
Matériau de construction:	Contreplaqué de bouleau Russe
Évent(s):	15 mm (5/8 pouce) 11-plies 1, situé à l'arrière
Grille:	Métal Perforé
Recouvrement / Finition:	Ozite Noire (tapis)
Recouvrement optionnel / Finitions:	Peinture Ultra thane Noire (E10PB)
Processeur (optionnel):	Bi amplifié (interne)
Dimensions (PLH x arrière L, pouces):	12 x 13 x 18.5 x 5.5
Dimensions (PLH x arrière L, cm):	30 x 33 x 45 x 14
Poids (livres/kg):	34/15.5

E10P Block Diagram

DESIGNED & MANUFACTURED BY YORKVILLE SOUND



EYEBOLT INSTALLATION



1. DESCRIPTION

Many of the popular models in the Yorkville speaker cabinet line are now equipped with flying hardware for overhead suspension applications. Depending on the model, two or more internal braces have been provided for rigging purposes. Each brace contains two bolt holes and provides center-of-gravity fly-points for use with in-line or angular loads. Many of the models will support additional suspended cabinets according to their specified working load limits.



IMPORTANT!!

THE RIGGING OF LOUDSPEAKER SYSTEMS IS AN EXTREMELY SERIOUS MATTER. OVERHEAD RIGGING REQUIRES EXTENSIVE EXPERIENCE, INCLUDING (BUT NOT LIMITED TO) CALCULATING WORKING LOAD LIMITS, HARDWARE INSTALLATION, AND PERIODIC SAFETY INSPECTION OF ALL HARDWARE AND CABINETRY. IF YOU LACK THESE QUALIFICATIONS, DO NOT ATTEMPT THE INSTALLATION YOURSELF, BUT INSTEAD USE A PROFESSIONAL STRUCTURAL RIGGER. IMPROPER INSTALLATION CAN RESULT IN BODILY INJURY OR DEATH. CONSULT A STRUCTURAL ENGINEER TO CALCULATE ADDED LOADS FOR A BUILDING. STRUCTURAL REINFORCEMENT MAY BE NECESSARY TO INSURE A SAFE INSTALLATION.

2. REQUIRED TOOLS

1/4-20 Hex Wrench
Thread lock adhesive (Removable Type)

3. EYEBOLT INSTALLATION

a) Using a 1/4-20 hex wrench, remove the flat head bolts from the top or bottom of the speaker enclosure to expose the tapped holes (on TX models, the flat head bolts are located within the track rails), as shown below. Be sure to keep these handy as they will be needed to seal the cabinet after the eyebolts are removed.



IMPORTANT!!

USE ONLY LOAD RATED FORGED EYEBOLTS. THESE MAY BE PURCHASED THROUGH YORKVILLE SOUND OR ATM FLY-WARE™. TO INSURE CABINET-BRACING STRENGTH, MAKE SURE ALL FLY-POINTS ARE SECURED WITH EITHER AN EYEBOLT OR FLAT HEAD HEX BOLT.

b) Place a drop of thread-lock adhesive on the threads of the eyebolt and insert one into exposed hole. Tighten each eyebolt by hand until its fits snugly against the cabinet. Further tighten each eyebolt by rotating it another half turn. Be sure to insert eyebolts in the threaded hole directly in-line with the suspension cable. Always follow the eyebolt manufacturers installation and use instructions.

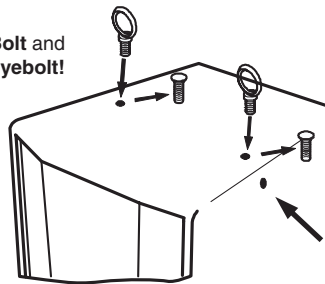
c) Suspend each cabinet according to working load calculations and practices recommended by the rigging hardware manufacturer.



IMPORTANT!!

ON MODELS WITH ONLY TWO TOP SUSPENSION POINTS THE SUPPLIED PULL BACK AT THE REAR OF THE BOTTOM CENTER PANEL OF THE CABINET IS NOT TO BE USED AS A SUSPENSION POINT. THIS POINT TO BE USED FOR PULL BACK PURPOSES ONLY.

Remove Flat-Head Bolt and
replace with Forged Shoulder Eyebolt!



DO NOT Remove Flat-Head Bolts
on the Side of Cabinet/s.

4. WORKING LOAD LIMITS

Specified working load limits have been determined for the enclosure as follows:

E10P	4 fly points - 2 top + 2 bottom + pull back	4 fly points - 2 top + 2 bottom + pull back	1/4-inch weight of cabinet only
-------------	---	---	---------------------------------



IMPORTANT!!

READ ALL ENCLOSED INSTRUCTIONS ABOUT PROPER USE OF HARDWARE. TO INSURE PROPER INSTALLATION, FOR TECHNICAL INFORMATION ON SUSPENSION TECHNIQUES AND EXTERIOR ACCESSORY INFORMATION WE SUGGEST CALLING ATM FLY-WARES TECHNICAL SERVICES IN THE UNITED STATES AT (310)639-8282 MONDAY THROUGH FRIDAY FROM 9 AM TO 6 PM (PST) OR FAX AT (310)639-8284. YORKVILLE SOUND MAKES NO CLAIMS AS TO THE SAFETY OF THE ENCLOSURES IF RECOMMENDED LOAD LIMITS AND HARDWARE ARE NOT STRICTLY ADHERED TO. NOR DOES IT MAKE ANY SAFETY CLAIMS TO THE RESULTANT INSTALLATION.



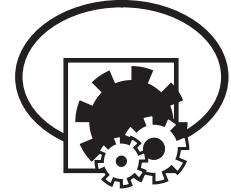
IMPORTANT!!

TRACK RAILINGS: UNITS THAT INCORPORATE THE TRACK RAILING SYSTEM HAVE THE SAME WORKING LOAD LIMITS AS THEY DO WHEN THEY ARE USED WITH EYEBOLTS. THESE RATINGS MAY BE LIMITED AND BASED ON THE RATINGS OF THE TRACK FITTINGS THEMSELVES. PLEASE ENSURE THAT THE RATING OF THE CERTIFIED TRACK FITTINGS EXCEEDS NECESSARY WORKING LOAD LIMITS.

EYEBOLT INSTALLATION

1. DESCRIPTION

Plusieurs des modèles populaires de la ligne d'enceinte à haut-parleur Yorkville sont maintenant équipés de quincaillerie de montage pour les applications requérant une suspension aérienne. Dépendamment du modèle, deux ou plusieurs attaches internes sont prévues pour de tels montages. Chaque attache contient deux trous de boulon et offre des points de montage centre de gravité pour utilisation avec charges droites ou anguleuses. Plusieurs des modèles permettent la suspension de cabinets additionnels selon leur limite de charge de travail spécifique.



IMPORTANT!! LE MONTAGE DE SYSTÈME DE HAUT-PARLEUR EST UNE AFFAIRE TRÈS SÉRIEUSE. LES MONTAGES IMPLIQUANT UNE SUSPENSION AÉRIENNE NÉCESSITENT UNE CONNAISSANCE APPROFONDIE, INCLUANT (MAIS NON-LIMITÉE) AU CALCUL DES LIMITES DE CHARGE DE TRAVAIL, LA QUINCAILLERIE D'INSTALLATION, ET INSPECTIONS PÉRIODIQUES DE SÉCURITÉ DE TOUTE LA QUINCAILLERIE ET DE L'ÉBÉNISTERIE. SI VOUS N'AVEZ PAS CES QUALIFICATIONS, NE TENTEZ PAS DE FAIRE VOUS-MÊME L'INSTALLATION, AYEZ PLUTÔT RECOURS À UN PROFESSIONNEL DU DOMAINE. UNE INSTALLATION INADÉQUATE PEUT CAUSER DES BLESSURES CORPORELLES OU MÊME LA MORT. CONSULTEZ UN INGÉNIEUR EN STRUCTURE POUR CALCULER LA CHARGES ADDITIONNELLE AJOUTÉE AU BÂTIMENT. UN RENFORCEMENT DE LA STRUCTURE DU BÂTIMENT POURRAIT ÊTRE NÉCESSAIRE POUR ASSURER UNE INSTALLATION SÛRE.

2. OUTILS REQUIS

Clé Hex 1/4-20

Adhésif de verrouillage pour filetage (Type amovible)

3. INSTALLATION DES BOULONS À OEIL

a) À l'aide d'une Clé Hex 1/4-20, enlevez le boulon à tête plate du dessus ou du dessous de l'enceinte à haut-parleur pour découvrir les trous filetés (sur les modèles TX, les boulons à tête plate sont situés à l'intérieur des quincailleries de montage intégré), tel qu'indiqué ci-dessous.

Assurez-vous de ne pas perdre ces boulons à tête plate. Vous devrez les ré-utiliser pour fermer hermétiquement le cabinet quand les boulons œil seront enlevés.



IMPORTANT!! N'UTILISEZ QUE DES BOULONS À OEIL CLASSIFIÉ POUR LES CHARGES REQUISES. VOUS POUVEZ VOUS LES PROCURER DE YORKVILLE SOUND OU ATM FLYWARE™. POUR PRÉSERVER UNE FORCE MAXIMALE DE L'ENTRETOISEMENT DU CABINET, ASSUREZ-VOUS QUE TOUS LES POINTS DE SUSPENSION SONT FIXÉS SOLIDEMENT AVEC SOIT UN BOULON À OEIL, SOIT UN BOULON HEX À TÊTE PLATE

b) Placez une goutte d'adhésif de verrouillage sur le filetage du boulon à œil et placez-en une dans le trou exposé. Resserrez chaque boulon à œil à la main jusqu'à ce qu'ils soient bien serrés contre l'enceinte. Serrez encore chaque boulon à œil en les tournant un autre demi-tour.

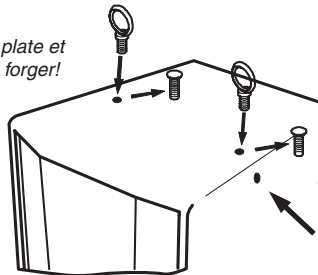
Assurez-vous d'insérer les boulons à œil dans les trous filetés directement en ligne avec le câble de suspension. Toujours suivre les instructions d'installation et d'utilisation du fabricant des boulons à œil.

c) Suspendez chaque enceinte selon le calcul de charge de travail et les pratiques recommandées par le fabricant de la quincaillerie de montage.



IMPORTANT!! LES MODÈLES ÉQUIPÉS DE SEULEMENT DEUX POINT DE SUSPENSION SUR LE DESSUS, SONT DOTÉ D'UN POINT DE TIRE À L'ARRIÈRE SUR LE PANNEAU CENTRAL DU BAS. CE POINT DE TIRE NE DOIT PAS ÊTRE UTILISÉ COMME POINT DE SUSPENSION. CE POINT DE TIRE NE DOIT SEULEMENT ÊTRE UTILISÉ QUE POUR TIRER L'ENCEINTE VERS L'ARRIÈRE..

Enlevez le Boulon à tête plate et
Remplacez-le avec un boulon à œil forger!



N'enlevez pas les boulons à tête
plate sur le côté de l'enceinte/s

4. LIMITES DE CHARGE DE TRAVAIL

Les limites de charge spécifiées ont été déterminées pour chaque enceinte comme suit:

E10P	4 fly points - 2 top + 2 bottom + pull back	4 fly points - 2 top + 2 bottom + pull back	1/4-inch weight of cabinet only
------	---	---	---------------------------------



IMPORTANT!! LIRE TOUTE LA DOCUMENTATION INCLUSE AU SUJET DE L'UTILISATION APPROPRIÉ DE LA QUINCAILLERIE. POUR ASSURER UNE BONNE INSTALLATION, POUR OBTENIR DE L'INFORMATION TECHNIQUE SUR LES DIVERSES TECHNIQUES DE SUSPENSION ET POUR OBTENIR DE L'INFORMATION SUR LES ACCESSOIRES EXTÉRIEURS NOUS VOUS SUGGÉRONS D'APPELER LE SERVICE TECHNIQUE DE ATM FLY-WARE AUX ETATS-UNIS AU (310)639-8282 DU LUNDI AU VENDREDI DE 9 AM À 6 PM (HSP) OU PAR FAX AU (310)639-8284. YORKVILLE SOUND NE GARANTIE PAS UNE UTILISATION SÉCURITAIRE DES ENCEINTES SI LES LIMITES DE CHARGE RECOMMANDÉES NE SONT PAS RESPECTÉES ET SI VOUS N'ADHÉREZ PAS STRICTEMENT À LA LISTE DE QUINCAILLERIE RECOMMANDÉE.



IMPORTANT!! RAILS DE MONTAGE (TRACK RAILINGS): LES ENCEINTES INCORPORANT LE SYSTÈME DE RAIL DE MONTAGE ONT LES MÊMES LIMITES DE CHARGE DE TRAVAIL QU'ILS SOIENT SUSPENDUS AVEC LE SYSTÈME DE RAIL OU AVEC LES BOULONS À OEIL. CES VALEURS ASSIGNÉES DE LIMITE DE CHARGE PEUVENT ÊTRE LIMITÉES ET BASÉES SUR LA VALEUR DE LIMITE DE CHARGE ASSIGNÉE AUX APPAREILLAGES DE RAIL (TRACK FITTINGS) ELLE-MÊMES. ASSUREZ-VOUS S.V.P. QUE LA VALEUR ASSIGNÉE DE LIMITE CHARGE DE TRAVAIL SUR LES APPAREILLAGES CERTIFIÉS DE RAIL (TRACK FITTINGS) EXÈDE LES LIMITES NÉCESSAIRES DE CHARGE DE TRAVAIL.



Two & Ten Year Warranty

Unlimited Warranty

Yorkville's two and ten-year unlimited warranty on this product is transferable and does not require registration with Yorkville Sound or your dealer. If this product should fail for any reason within two years of the original purchase date (ten years for the wooden enclosure), simply return it to your Yorkville dealer with original proof of purchase and it will be repaired free of charge. This includes all Yorkville products, except for the YSM Series studio monitors, Coliseum Mini Series and TX Series Loudspeakers.

Freight charges, consequential damages, weather damage, damage as a result of improper installation, damages due to exposure to extreme humidity, accident or natural disaster are excluded under the terms of this warranty. Warranty does not cover consumables such as vacuum tubes or par bulbs. See your Yorkville dealer for more details. Warranty valid only in Canada and the United States.

Garantie Illimitée

La garantie illimitée de deux et dix ans de ce produit est transférable. Il n'est pas nécessaire de faire enregistrer votre nom auprès de Yorkville Sound ou de votre détaillant. Si, pour une raison quelconque, ce produit devient défectueux durant les deux années qui suivent la date d'achat initial (dix ans pour l'ébénisterie), retournez-le simplement à votre détaillant Yorkville avec la preuve d'achat original et il sera réparé gratuitement. Ceci inclut tous les produits Yorkville à l'exception de la série de moniteurs de studio YSM, la mini série Coliseum et de la série TX.

Les frais de port et de manutention ainsi que les dommages indirects ou dommages causés par désastres naturels, extrême humidité ou mauvaise installation ne sont pas couverts par cette garantie. Cette garantie ne couvre pas les produits consommables tels que lampe d'amplificateur ou ampoules "PAR". Voir votre détaillant Yorkville pour plus de détails. Cette garantie n'est valide qu'au Canada et aux États Unis d'Amérique.

REAL Gear.
REAL People.



Canada U.S.A.

Voice: (905) 837-8481 Voice: (716) 297-2920

Fax: (905) 837-8746 Fax: (716) 297-3689

www.yorkville.com

Yorkville Sound Yorkville Sound Inc.
550 Granite Court 4625 Witmer Industrial Estate
Pickering, Ontario Niagara Falls, New York
L1W-3Y8 CANADA 14305 USA



WEB: www.yorkville.com

**WORLD HEADQUARTERS
CANADA**

Yorkville Sound
550 Granite Court
Pickering, Ontario
L1W-3Y8 CANADA

Voice: (905) 837-8481
Fax: (905) 837-8746

U.S.A.

Yorkville Sound Inc.
4625 Witmer Industrial Estate
Niagara Falls, New York
14305 USA

Voice: (716) 297-2920
Fax: (716) 297-3689



Quality and Innovation Since 1963
Printed in Canada