

# nx 750P

750 WATT POWERED LOUDSPEAKER ENCLOSURE



MODEL TYPE: YS1037

**OWNER'S MANUAL**  
**MANUEL de L'UTILISATEUR**

## IMPORTANT SAFETY INSTRUCTIONS



This lightning flash with arrowhead symbol, within an equilateral triangle, is intended to alert the user to the presence of uninsulated "dangerous voltage" within the product's enclosure that may be of sufficient magnitude to constitute a risk of electric shock to persons.

Ce symbole d'éclair avec tête de flèche dans un triangle équilatéral est prévu pour alerter l'utilisateur de la présence d'un « voltage dangereux » non-isolé à proximité de l'enceinte du produit qui pourrait être d'ampleur suffisante pour présenter un risque de choc électrique.



S2125A

### CAUTION AVIS

RISK OF ELECTRIC SHOCK  
DO NOT OPEN

RISQUE DE CHOC ELECTRIQUE  
NE PAS OUVRIR



The exclamation point within an equilateral triangle is intended to alert the user to the presence of important operating and maintenance (servicing) instructions in the literature accompanying the appliance.

Le point d'exclamation à l'intérieur d'un triangle équilatéral est prévu pour alerter l'utilisateur de la présence d'instructions importantes dans la littérature accompagnant l'appareil en ce qui concerne l'opération et la maintenance de cet appareil.

### FOLLOW ALL INSTRUCTIONS

Instructions pertaining to a risk of fire,  
electric shock, or injury to a person

**CAUTION:** TO REDUCE THE RISK OF ELECTRIC SHOCK, DO NOT REMOVE COVER (OR BACK).

NO USER SERVICEABLE PARTS INSIDE.

REFER SERVICING TO QUALIFIED SERVICE PERSONNEL.

### SUIVEZ TOUTES LES INSTRUCTIONS

Instructions relatives au risque de feu,  
choc électrique, ou blessures aux personnes

**AVIS:** AFIN DE REDUIRE LES RISQUE DE CHOC ELECTRIQUE, N'ENLEVEZ PAS LE COUVERT (OU LE PANNEAU ARRIERE) NE CONTIENT AUCUNE PIECE

REPARABLE PAR L'UTILISATEUR.

CONSULTEZ UN TECHNICIEN QUALIFIE POUR L'ENTRETIEN

**Read Instructions:** The Owner's Manual should be read and understood before operation of your unit. Please, save these instructions for future reference and heed all warnings.

Clean only with dry cloth.

**Packaging:** Keep the box and packaging materials, in case the unit needs to be returned for service.

**Warning:** To reduce the risk of fire or electric shock, do not expose this apparatus to rain or moisture. *Do not use this apparatus near water!*

**Warning:** When using electric products, basic precautions should always be followed, including the following:

#### Power Sources

Your unit should be connected to a power source only of the voltage specified in the owners manual or as marked on the unit. This unit has a polarized plug. Do not use with an extension cord or receptacle unless the plug can be fully inserted. Precautions should be taken so that the grounding scheme on the unit is not defeated.

#### Hazards

Do not place this product on an unstable cart, stand, tripod, bracket or table. The product may fall, causing serious personal injury and serious damage to the product. Use only with cart, stand, tripod, bracket, or table recommended by the manufacturer or sold with the product. Follow the manufacturer's instructions when installing the product and use mounting accessories recommended by the manufacturer.

The apparatus should not be exposed to dripping or splashing water; no objects filled with liquids should be placed on the apparatus.

Terminals marked with the "lightning bolt" are hazardous live; the external wiring connected to these terminals require installation by an instructed person or the use of ready made leads or cords.

Ensure that proper ventilation is provided around the appliance. Do not install near any heat sources such as radiators, heat registers, stoves, or other apparatus (including amplifiers) that produce heat.

No naked flame sources, such as lighted candles, should be placed on the apparatus.

#### Power Cord

Do not defeat the safety purpose of the polarized or grounding-type plug. A polarized plug has two blades with one wider than the other. A grounding type plug has two blades and a third grounding prong. The wide blade or the third prong are provided for your safety. If the provided plug does not fit into your outlet, consult an electrician for replacement of the obsolete outlet. The AC supply cord should be routed so that it is unlikely that it will be damaged. If the AC supply cord is damaged DO NOT OPERATE THE UNIT.

Unplug this apparatus during lightning storms or when unused for long periods of time.

#### Service

The unit should be serviced only by qualified service personnel.

**Veillez Lire le Manuel:** Il contient des informations qui devraient étre comprises avant l'opération de votre appareil. Conservez. Gardez S.V.P. ces instructions pour consultations ultérieures et observez tous les avertissements.

Nettoyez seulement avec le tissu sec.

**Emballage:** Conservez la boîte au cas où l'appareil devait étre retourner pour réparation.

**Avertissement:** Pour réduire le risque de feu ou la décharge électrique, n'exposez pas cet appareil à la pluie ou à l'humidité. *N'utilisez pas cet appareil près de l'eau!*

**Attention:** Lors de l'utilisation de produits électrique, assurez-vous d'adhérer à des précautions de bases incluant celle qui suivent:

#### Alimentation

L'appareil ne doit étre branché qu'à une source d'alimentation correspondant au voltage spécifié dans le manuel ou tel qu'indiqué sur l'appareil. Cet appareil est équipé d'une prise d'alimentation polarisée. Ne pas utiliser cet appareil avec un cordon de raccordement à moins qu'il soit possible d'insérer complètement les trois lames. Des précautions doivent étre prises afin d'éviter que le système de mise à la terre de l'appareil ne soit désengagé.

#### Risque

Ne pas placer cet appareil sur un chariot, un support, un trépied ou une table instables. L'appareil pourrait tomber et blesser quelqu'un ou subir des dommages importants. Utiliser seulement un chariot, un support, un trépied ou une table recommandés par le fabricant ou vendus avec le produit. Suivre les instructions du fabricant pour installer l'appareil et utiliser les accessoires recommandés par le fabricant.

Il convient de ne pas placer sur l'appareil de sources de flammes nues, telles que des bougies allumées.

L'appel ne doit pas étre exposé à des égouttements d'eau ou des éclaboussures et qu'aucun objet rempli de liquide tel que des vases ne doit étre placé sur l'appareil.

Assurez que l'appareil est fourni de la propre ventilation. Ne procédez pas à l'installation près de source de chaleur tels que radiateurs, registre de chaleur, fours ou autres appareils (incluant les amplificateurs) qui produisent de la chaleur.

Les dispositifs marqués d'une symbole "d'éclair" sont des parties dangereuses au toucher et que les câblages extérieurs connectés à ces dispositifs de connexion extérieure doivent étre effectués par un opérateur formé ou en utilisant des cordons déjà préparés.

#### Cordon d'Alimentation

Ne pas enlever le dispositif de sécurité sur la prise polarisée ou la prise avec tige de mise à la masse du cordon d'alimentation. Une prise polarisée dispose de deux lames dont une plus large que l'autre. Une prise avec tige de mise à la masse dispose de deux lames en plus d'une troisième tige qui connecte à la masse. La lame plus large ou la tige de mise à la masse est prévu pour votre sécurité. La prise murale est désuète si elle n'est pas conçue pour accepter ce type de prise avec dispositif de sécurité. Dans ce cas, contactez un électricien pour faire remplacer la prise murale. Évitez d'endommager le cordon d'alimentation. N'UTILISEZ PAS L'APPAREIL si le cordon d'alimentation est endommagé.

Débranchez cet appareil durant les orages ou si inutilisé pendant de longues périodes.

#### Service

Consultez un technicien qualifié pour l'entretien de votre appareil.

## NX750P Active Full Range Loudspeaker

Using the popular nx20 as a base, adding 750 Watts of bi-amped power and topping-it-off with advanced signal processing, the NX750P is destined to set the new standard for active loudspeakers. The woofer amplifier, or low frequency amplifier, amp delivers over 650 Watts to the 15 inch neodymium woofer. To reduce the overall weight of the amplifier section, the woofer amplifier uses Class D switching technology. A 100 Watt, two-tier linear technology, Class H amplifier drives the 1 inch diaphragm horn driver. This allows the horn to produce clean transients while keeping up with the high output of the woofer. Two-tier amplifier technology isn't typically seen in a product like this, however we found the advantages (lower weight, more efficiency, higher headroom and lower operating temperature) made it a perfect choice for powering the top end.

This combination of Class D and Class H amplifier technologies helps keep distortion to a minimum while reducing the need for massive heat dissipation. In fact, to a level low enough to eliminate the need for heavy heatsinks. The advantage of this unique combination of two-tier and Class D amplification has reduced extraneous heat to the point that NX750P's can easily be used in any orientation (close to walls, floors and in close arrays with multiple cabinets). Competitive active loudspeakers, with large finned heatsinks, need to be operated vertically and with plenty of clearance (to ensure proper heat dissipation and ventilation). Since you have more versatility in regards to the orientation of the enclosure, the NX750P becomes ideal for flying in large clusters and in point-source concert sound systems. Yorkville's designers took extra care making sure that in tight clusters overheating would not be an issue.

Taking advantage of the design process, an opportunity was taken to tweak the electronics for maximum overall speaker performance and protection. Solutions were borrowed from our high-end TX-Series PA systems. The limiters used, at the input and crossover stages, are a complex combination of gain reduction and sweeping filters. If the NX750P is pushed to its maximum input/output levels, advanced filtering begins rolling off unnecessary subsonic frequencies. The processing also protects individual components ensuring failure free operation (even after long term operation at close to maximum output levels). The filter has a remarkable response time, less than 70ms, allowing the system to constantly be re-tuning itself. This makes sure the output is as clean, as loud and as clear as possible at any given



moment. This is achieved without negatively affecting the overall sonic quality of the cabinet. This ensures that the essential part of the mix, like the vocals or solo instruments, come out clean and clear when the cabinet is being operated at the extremes of power and woofer excursion. Extremely fast and accurate limiting is in place to protect the speaker components.

As a bonus, the NX750P has a built in mixer! This allows the loudspeaker to be used directly with a microphone and/or line source. The loop output allows additional active cabinets to be driven from one source (up to a maximum of 50 NX750Ps). If desired, you can combine a pair of the NX750P's using the mixer inputs on each cabinet and coupling the loop outputs. In this example you would have an ideal presentation system. Two microphone inputs, two line inputs (optimized for CD, Cassette or laptop computer audio source), complete within two speaker cabinets. As mentioned, our active cabinets can be linked together, the limitation is that only three 'mixers' can be active at any one time. This allows three Mic sources and six line sources available in an array of three or more cabinets). The microphone inputs have equalization and high pass filtering designed appropriately for vocal applications. The trim control allows looped cabinets to be individually adjusted in level. This is invaluable in applications where large numbers of cabinets are used such as in clusters or in trade show applications (or when NX750P's are used as repeater cabinets or for side fill). The 100 Hz high pass filters allow the NX750P to be used more efficiently with any active subwoofer.

## Features

- Ultra-clear reproduction throughout the whole bandwidth
- High efficiency, high tech, 750 Watt Bi-amped power module
- Superior TX-style processing and component protection
- True 1 inch diaphragm horn driver
- Low distortion/high power-handling 15-inch woofer
- $-\infty$  dB / + 6 dB Level control (for individual cabinet level adjustment)
- XLR and TRS inputs / outputs for easy connection and looping
- Multi-input source mixer for direct inputs
- Direct microphone input with level control
- Two way overall EQ controls
- Integrated flying hardware (3/8 inch threaded holes)
- Tough, full-length metal grille
- Recessed Mixer panel

## 1. Operation

The NX750P is a bi-amped powered full-range loudspeaker with a built-in two channel mixer. Multiple NX750P cabinets may be connected through the Link option. If you're using the NX750P with an external mixer, the internal mixer can be disabled. The built-in mixer has a microphone input and two (combined) 1/4 inch inputs for line sources such as CD players. Advanced signal processing is used to give maximum performance at all levels. There's a switch to provide a low frequency rolloff if you're going to use the NX750P with a subwoofer.

## 2. Mic Input

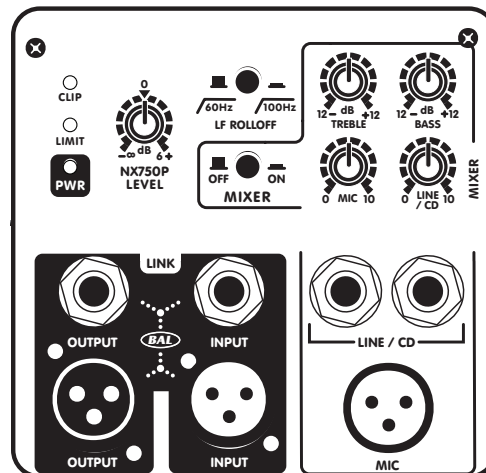
Any regular microphone can be inserted into the Mic input. Phantom power is built-in for condenser microphones.

## 3. Line/CD Inputs

The Line/CD inputs allow line level sources such as CD players or Cassette decks to be directly connected. These inputs are combined to allow the blending of stereo sources into mono. The inputs are also balanced to help reject hum (when used with balanced cables). This input may be used to allow operation from lower-level Line inputs (as opposed to the Link jacks). It may also be used to accommodate a greater range of level adjustment than the NX750P Level control allows (for example a cabinet in a chain of cabinets that needs to operate at much reduced level).

## 4. Link

These parallel jacks allow multiple NX750P cabinets to be connected together. The Link Jacks are the correct input to use when driving the NX750P from an external mixer. The Link Jacks operate at line level (+4 dBv) to achieve full power. The NX750P Level control allows operation at levels from -2 dBv to +10 dBv for full power. When operating from signals that are not as strong, use the Line inputs of the first cabinet in the chain. The Link jacks are high quality balanced inputs with very good common mode (hum) rejection. To ensure maximum hum rejection, the proper balanced cables must be used. Jacks marked LINK OUTPUT are connected in parallel with the LINK INPUTS and are provided for convenience to connect downstream cabinets. Link inputs may also be used as outputs and link outputs may be used as inputs.



## 5. Connections

When using the NX750P in the angled position (i.e. as a stage monitor), it is recommended to use jacks that have 90-degree connectors. This will reduce the risk of damaging the wires by being bent and/or pinched.

## 6. Level Control

This control allows cabinets, linked in a chain, to be individually adjusted over a +/- 6 dB range. This control does not adjust the level of the Link jacks.



## 7. LF Rolloff

For operation with a subwoofer, the LF Rolloff switch shuts off the low frequency boost and filters out signals below 100 Hz. It's not necessary to use this switch for speech applications because the Mic input already has a high pass filter. This switch only affects the signals to the internal amplifier and does not affect signals going out from the internal mixer, or to signals passing through the Link connections.

## 8. Mixer On/Off

The Mixer On/Off switch turns the NX750P's internal mixer on the rear panel on and off. The NX750P's mixer should be used when a microphone or CD player is directly connected to one of the NX750P's Line/CD or Mic inputs. It should be switched off\* if the NX750P's Link Input is connected to a separate mixer's output.

*\*Note: the NX750P has been designed to enable the user to interconnect multiple NX750Ps (up to 12 or even more) via the Link Inputs and Outputs. When linking NX750P's, a maximum of 3 of the NX750P's internal mixers can be used (activated) allowing up to 3 microphones and 3 line sources to be mixed without an external mixer. This is useful for smaller music engagements, meetings, seminars, etc.*

## 9. Mic Control

This control adjusts the volume level the Mic input. The microphone signal output to other cabinets through the link connections will be affected as well.

## 10. Line/CD Control

This control adjusts the volume level of devices plugged into the Line/CD input. The signal out to other cabinets, from this device, through the link connections will be affected as well. A line-level signal and microphones can be connected simultaneously.

## 11. Treble and Bass Controls

These controls affect the signals from devices plugged into the Line/CD and Mic inputs. The signal out, to other cabinets, through the Link

will also be affected. These controls do not affect signals coming into the cabinet from the Link connections.

## 12. Green PWR LED

Illumination indicates that AC power is on and the fuse is functioning.

## 13. Yellow Limit LED

This indicates that the cabinet is operating at full power and the limiter(s) are actively reducing the signal level. It's all right to operate in limiting as long as the clip light is not constantly on. The Limit light does not indicate low frequency processing action. There are separate limiters for the woofer and horn. This LED will indicate operation of either limiter.

## 14. Red Clip LED

The illumination of this LED indicates that the signal level is excessive and may cause distortion. Reduce mixer levels or turn down the Level control (on NX750P) to reduce clipping.

## 15. Power Switch

This turns the power On and Off to the cabinet. Note; a cabinet that is turned off, but is one of the cabinets in a chain might cause hum (or buzz) in the other cabinets.

## 16. Fuse

The mains fuse should never blow even in extreme operating conditions. A blown fuse will generally mean that excessive mains voltage has been applied or there's a serious fault with the unit. Self re-setting thermal switches are built into the power transformer as well as on the internal heat sink. These will not trip even under the most extreme operating conditions and are provided only for safety reasons. Thermal margins may be compromised when operating facing straight up, straight down or while operating in direct sunlight!

*A note about unbalanced operation: When connecting an unbalanced source (such as a mixer with RCA outputs) to balanced inputs such as an NX750P, the best hum rejection can be achieved by running a balanced connection right to the unbalanced plug. The return connection should be connected to ground at the unbalanced plug. The NX750P does not connect the AC power ground directly to the input signal ground. This will eliminate most ground problems.*

# nx750P

## 750 WATT POWERED LOUDSPEAKER ENCLOSURE

### Specifications

<b>System Type</b>	2-Way
<b>Active or Passive</b>	Active
<b>Program Power (Watts)</b>	750
<b>Biampable</b>	Self Powered
<b>Biamp Operation Only</b>	Yes
<b>Max SPL (dB)</b>	127
<b>Frequency Response (Hz +/- 3db)</b>	50 - 26k
<b>Crossover Frequency (Hz)</b>	1400
<b>Driver Configuration</b>	15 inch / 1.5 inch
<b>HF Driver(s)</b>	1 inch Throat, Ceramic Magnet, 1 inch Polyester voicecoil
<b>HF Program Power (Watts)</b>	100
<b>HF Dispersion (°H x °V)</b>	80 x 50
<b>LF Driver(s)</b>	15 inch Neodymium Magnet 3 inch voicecoil
<b>LF Program Power(Watts)</b>	650
<b>Total Power (Watts)</b>	750
<b>HF Amplifier Type</b>	Two Tier Class H
<b>LF Amplifier Type</b>	Class D
<b>Power Cable</b>	Yes
<b>Power Switch</b>	Yes
<b>Inputs</b>	7
<b>Inputs - 1/4" Jacks</b>	2 (line input) 2 (link in/out)
<b>Inputs - XLR</b>	1 (mic) 2 (line in/out)
<b>Input Sensitivity (Vrms Sine)</b>	+4dBv / 1.23V
<b>Mixer Controls</b>	Mixer on/off switch Mic Gain Line/CD Gain Treble/Bass Tweak
<b>Level Controls</b>	+6dB/-infinity Main Volume
<b>EQ Controls</b>	100Hz HP Filter (LF Rolloff)
<b>Limiter</b>	Yes
<b>LED Indicators</b>	Power/Clip/Limit
<b>Other Controls / Features</b>	Side recesses for ease of lifting
<b>Feet</b>	Yes
<b>Flying Hardware</b>	2 (Top), 1 (Bottom), 2 (Pullback)
<b>Optional Flying Hardware</b>	NX Flyware
<b>Bar Handles</b>	1 (Side)
<b>Pole Mount Adapter (1 3/8"-3.5cm)</b>	Yes
<b>Enclosure Materials</b>	Injection molded Polypropylene
<b>Grille</b>	Perforated Metal
<b>Dimensions (DWH xbackW, inches)</b>	15 x 22 x 32 x 9.5
<b>Dimensions (DWH xbackW, cm)</b>	38 x 56 x 84 x 24
<b>Weight (lbs/kg)</b>	62 / 28.2

## Enceinte de Haut-Parleurs Pleine Bande, Amplifiée NX750P

Les ingénieurs de Yorkville ont utilisé la populaire NX350 comme inspiration et ont ajouté 750 Watts de puissance en bi-amplification et un traitement de signal perfectionné pour développer la NX750P. Performance, protection et poids générale étaient à la base de la conception pour l'amplificateur de graves (ou amplificateur du woofer). La technologie de commutation Classe D est utilisée pour les fréquences graves. Elle permet d'acheminer plus de 650 Watts au haut-parleur neodymium de 15 pouces. Le driver à pavillon avec un diaphragme à titane de 1.5 pouces est entraîné par un amplificateur Classe H de 100 Watts à technologie linéaire à deux étages. Cela permet au pavillon de reproduire des transitoires claires tout en maintenant une puissance relative au niveau de sortie élevé du woofer. La technologie d'amplification à deux étages n'est généralement pas utilisée dans ce type d'application mais nous avons toutefois trouvé des avantages tels que réduction du poids, augmentation de l'efficacité, accroissement de l'extension dynamique et température d'opération réduite. En bref, un choix parfait pour l'amplification des aiguës.

Durant le processus de design, une opportunité s'est présentée nous permettant de mettre au point l'électronique pour obtenir une meilleure performance générale de haut-parleur et une meilleure protection.

Les solutions ont été tirées de notre série haute gamme de système pour sonorisation TX. Un limiteur très rapide et précis est en place pour protéger les composantes de haut-parleurs. La combinaison de technologie d'amplification Classe D et Classe H aide à garder la distorsion au minimum tout en réduisant le besoin pour un système de dissipation de chaleur extensif. En fait, le besoin pour un large dissipateur de chaleur a été éliminé. L'avantage de cette combinaison unique de deux étages et Classe D a réduit la chaleur externe au point où la NX750P peut facilement être utilisée dans n'importe quelle orientation (près des murs, des planchers, et dans des regroupements proches avec multiples cabinets). Des enceintes de haut-parleurs actives compétitrices avec des ailettes de dissipateur de chaleur plus grandes doivent être utilisées verticalement et avec beaucoup d'espace autour pour assurer une dissipation de chaleur adéquate ainsi qu'une bonne ventilation). Étant donné que vous avez plus de polyvalence en ce qui a trait à l'orientation de l'enceinte, la NX750P est idéal pour être installée en large regroupement et avec des systèmes de son "point source" pour concert. Les designers de Yorkville ont porté une attention spéciale au design pour s'assurer qu'il n'y aura pas de surchauffe avec de larges regroupements serrés.



La NX750P incorpore aussi un mixeur! Cela permet au haut-parleur d'être utilisé directement avec un microphone et/ou avec une source de signal de niveau ligne. La sortie "loop" permet le branchement d'enceintes amplifiées additionnelles avec pour source le même signal, avec un maximum de trois mixeurs simultanément actif. Cela permet le branchement de trois sources de microphone et six sources de niveau ligne dans un regroupement serré de trois enceintes ou plus (jusqu'à un maximum de 50 NX750P). Si vous le

désirez vous pouvez combiner une paire de NX750P en utilisant les entrées du mixeur sur chacune des enceintes et en raccordant les sorties "loop." Dans cet exemple, vous obtenez un système de présentation idéal. Deux entrées pour microphone, deux entrées de niveau ligne (conçues pour opération optimale avec lecteur CD, magnétophone à cassette ou "laptop" avec source de signal) complètement comprise à l'intérieur des deux enceintes amplifiées. Les entrées pour microphone, sont dotées d'égalisation et de filtre passe haut conçu pour la voix. Le contrôle de réduction de niveau des cabinets enchaînés permet d'ajuster indépendamment les niveaux de chaque cabinet. Cette caractéristique est d'une valeur inestimable lors d'application avec un grand nombre de haut-parleurs regroupés ou lors de salons commerciaux (ou lorsque les NX750P sont utilisés pour "repeater" ou "sidefills"). Le filtre passe haute 100Hz, permettra un fonctionnement plus efficace lors d'opération avec subwoofer.

## Caractéristiques

- Reproduction ultra claire pour toute la gamme de fréquence
- Module d'amplification de 750 watts hautement efficace à la fine pointe de la technologie
- Composants de protection et traitement de qualité supérieure semblable à ceux retrouvés dans les systèmes TX
- Driver à pavillon avec diaphragme de 1.5 pouces
- Woofer de 15 pouces à haute capacité de puissance et niveau de distorsion réduit
- Contrôle de réglage de niveau d'entrée variable de - dB / + 6 dB (pour réglage de niveau individuel sur chaque cabinet)
- Entrées et sorties types XLR et Pointe Bague Manchon pour faciliter l'interconnexion et les regroupements
- Mélangeur de source à entrée multiple pour prise d'entrée directe
- Entrée pour microphone avec contrôle de niveau
- Contrôle d'égalisateur général à deux voies
- Quincaillerie de montage intégrée (trous avec filetage 3/8)
- Grille métallique couvrant la totalité du baffle
- Panneau de mixage encastré

### 1. Opération

L'enceinte pleine bande NX750P est doté d'un système de bi-amplification et d'un mélangeur à deux canaux intégrés. Vous pouvez interconnecter plusieurs NX750P grâce à l'option "LINK." (max. de 50) Quand vous utilisez votre NX750P avec une table de mixage externe, vous pouvez désarmer le mixeur interne. Ce mixeur interne est lui-même doté d'une entrée pour microphone et de deux entrées liées de 1/4 pouces (pour des sources de niveau ligne telle que celle provenant de lecteurs CD), d'un traitement de signal perfectionné pour offrir une performance optimale à tous les niveaux d'un commutateur qui permet d'éliminer les fréquences graves lors d'opération avec subwoofer.

### 2. Entrée Pour Microphone

Vous pouvez brancher à cette entrée n'importe quel microphone régulier. L'alimentation en duplex est incorporé pour les microphones qui en ont besoin.

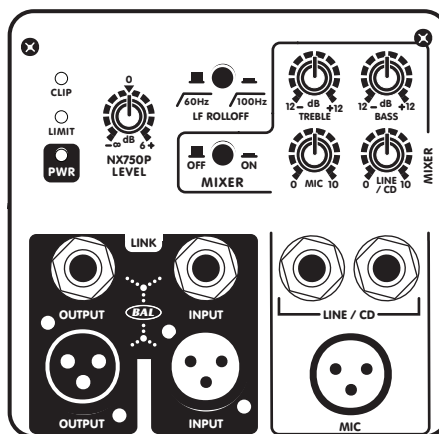
### 3. Entrées CD/Ligne

Les entrées CD/Ligne permettent le branchement de sources avec signal de niveau ligne tel que les lecteurs CD, magnétophones à cassette et tables de mixage. Lorsque plusieurs entrées sont utilisées, les entrées sont combinées pour mélanger les signaux (ex. : source stéréo) en un signal mono. Les fils avec fiche 1/4 de pouce asymétriques peuvent aussi être utilisés. Lorsque l'appareil est branché à des sources asymétriques, l'utilisation de câbles avec fiche P.B.M. (symétriques) permettra de réduire le

niveau des bruits et bourdonnements. Ces entrées peuvent être utilisées pour opération avec des appareils offrant des signaux de sortie de niveau ligne réduit nécessitant un peu plus de gain (au lieu d'utiliser les prises d'entrée "LINK" qui n'offrent aucun contrôle). L'utilisation des ces prises offre une plus grande gamme d'ajustement de niveau que le simple contrôle de niveau de la NX750P ( par exemple si un cabinet dans le regroupement doit fonctionner à un niveau moins élevé que les autres).

### 4. Link

Ces jacks parallèles permettent le branchement de plusieurs NX750P. Ces entrées sont appropriées lorsque vous entraînez la NX750P avec une table de mixage externe. Ces jacks permettront d'obtenir la pleine puissance en fonctionnant avec un signal de niveau ligne de + 4 dBv. Le contrôle de niveau de la NX750P permet l'opération à des niveaux variant de -2 dBv à +10dBv pour obtenir la pleine puissance. Lorsque vous opérez le système avec des signaux faibles, utilisez les entrées lignes du premier cabinet de la chaîne. Les jacks de haute qualité "LINK" sont symétriques avec un excellent rapport de réjection en mode commun pour le bruit et le bourdonnement. Pour assurer une réduction maximum de bruit, utilisez des câbles symétriques. Lorsque l'appareil est branché à des sources asymétriques, l'utilisation de câbles avec fiche P.B.M. (symétriques) permettra de réduire le niveau des bruits et bourdonnements. Les jacks marqués "LINK OUTPUT" sont branchés en parallèle avec les jacks marqués "LINK INPUT." Ils ont pour but de faciliter le branchement de cabinets additionnels. Les prises d'entrées "LINK" peuvent être utilisées comme sorties et les prises de sorties "LINK" peuvent être utilisées comme entrées.



### 5. Connexions

Lorsque vous utilisez le NX750P dans une position à angles (c.-à-d. comme moniteur de scène), nous vous recommandons d'utiliser des connecteurs de raccordement à 90 degrés. Ceci réduira le risque d'endommager les fils qui pourraient autrement être pliés et/ou pincés.



## 6. Contrôle de Niveau

Ce contrôle permet le réglage individuel de niveau pour chaque cabinet faisant parti d'un regroupement. Ce contrôle n'ajuste pas le niveau du signal présent aux prises "LINK." Le contrôle de niveau devrait être réglé à "0" pour la plupart des applications.

## 7. Pente de Diminution des Fréquences Graves

Lors d'opération avec subwoofer, le commutateur de pente de diminution des fréquences graves permettra de couper les fréquences inférieures à 100 Hz. Il n'est pas nécessaire d'utiliser ce commutateur pour les lectures parce qu'un filtre passe haute est déjà intégré à l'entrée pour microphone. Ce commutateur n'affecte que le signal à l'amplificateur interne et n'affecte pas le signal acheminé aux prises de sortie provenant du mélangeur interne ou les signaux qui passent à travers les prises de branchements "LINK."

## 8. Mixeur ON/OFF

Le commutateur de mise en marche du mixeur éteint et allume le mixeur interne de la NX750P qui est situé sur le panneau arrière de l'enceinte. Le mixeur de la NX750P devrait être employé quand un microphone ou un lecteur de CD est directement raccordé à une des entrées ligne/CD ou mic de la NX750P. Le mixeur devrait être éteint si l'entrée link de la NX750P est raccordée à la sortie d'un mixeur séparé.

*\*Note : le NX750P a été conçu pour permettre à l'utilisateur de relier ensemble plusieurs NX750Ps (jusqu'à 12 ou même plus) par l'intermédiaire de ses entrées et de ses sorties link. Quand plusieurs NX750P sont reliés, un maximum de 3 mixeurs internes des NX750P peut être utilisé (activés) permettant de mélanger, sans avoir recourt à un mixeur externe, jusqu'à 3 microphones et 3 sources de niveau ligne. Cette caractéristique s'avère utile pour des engagements à l'intérieur de petits espaces, meetings, séminaires, etc.*

## 9. Contrôle Microphone

Ce contrôle ajuste le niveau du microphone branché à la prise d'entrée "mic." Le signal de ce microphone qui sera acheminé aux autres cabinets par l'entremise des connexions "LINK" sera lui aussi affecté.

## 10. Contrôle Ligne/CD

Ce contrôle ajuste le niveau du volume de l'appareil qui est branché à la prise d'entrée Ligne/CD. Le signal de cet appareil acheminé aux autres cabinets par l'entremise des connexions "LINK" sera lui aussi affecté. Un signal de niveau ligne peut être branché simultanément avec les microphones.

## 11. Contrôles de Graves et d'Aiguës

Ces contrôles affectent le signal des appareils branchés à la prise d'entrée Ligne/CD et aussi aux prises d'entrée microphone. Le signal acheminé aux autres cabinets par l'entremise des connexions "LINK" sera lui aussi ou eux aussi affecté. Ces contrôles n'affectent pas les signaux qui arrivent à l'enceinte par l'entremise d'une connexion "LINK."

## 12. DEL Verte d'Alimentation

Cette DEL s'illumine pour indiquer que l'appareil est en marche et que le fusible fonctionne.

## 13. DEL Jaune du Limiteur

Cette DEL indique que le cabinet est utilisé à sa pleine puissance et que les limiteurs sont armés et réduisent les niveaux des signaux. Il n'y a pas de problème à opérer la NX750P avec le limiteur actif. Assurez-vous toutefois que la DEL clip ne s'illumine pas constamment. La DEL du limiteur n'indique pas le traitement des fréquences graves. Il y a un limiteur pour le woofer et un pour le driver à pavillon. Cette DEL indique plutôt que l'un ou l'autre des limiteurs est en opération.

## 14. DEL Rouge d'Écrêtage

La DEL d'écrtage s'illumine pour indiquer des niveaux excessifs qui pourraient causer la distorsion. Réduisez les niveaux du mixeur ou celui des contrôles de niveau (sur la NX750P) pour réduire l'écrtage.

## 15. Commutateur d'Alimentation

Ce commutateur permet d'allumer ou d'éteindre l'appareil.

*Prenez note: un cabinet éteint faisant partie d'un regroupement, peut être la source de bourdonnement dans les autres cabinets.*

## 16. Fusible

Le fusible principal ne devrait jamais sauter même lors de conditions d'opération extrêmes. Un fusible sauté indiquera généralement qu'un voltage principal excessif a été appliqué ou qu'il y a un problème sévère avec l'appareil. Des commutateurs thermiques de réarmement automatique sont intégrés au transformateur de puissance et au dissipateur de chaleur interne. Ces commutateurs ne sauteront pas mêmes sous les conditions d'opération les plus extrêmes et sont inclus pour des raisons de sécurité seulement. Lorsque la NX750P est utilisé couché sur le dos ou sur le ventre, évitez l'exposition à la lumière directe du soleil.

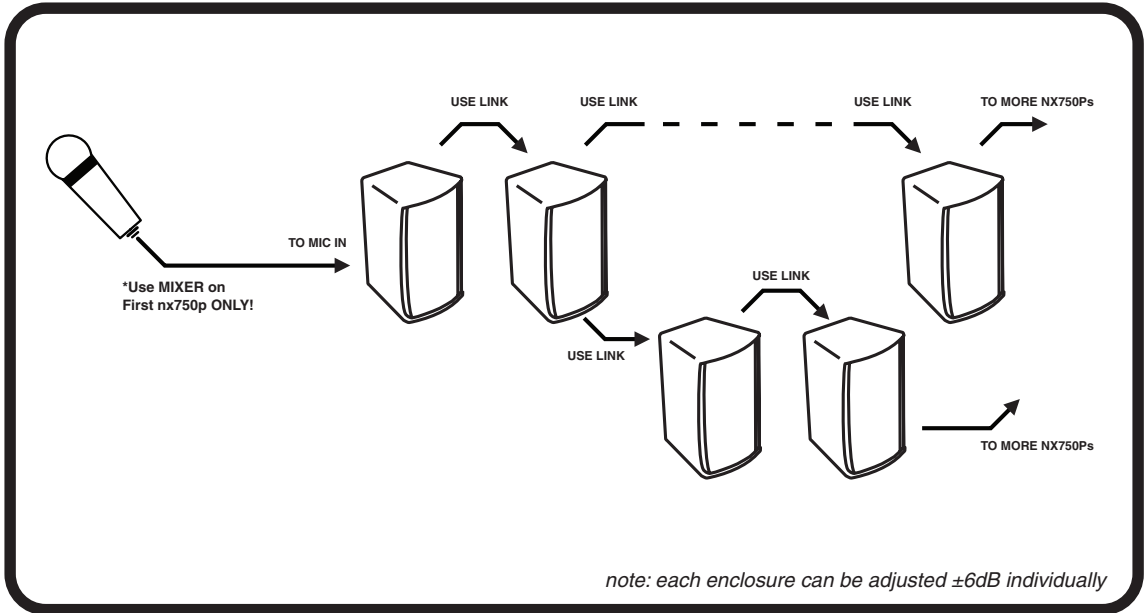
**Note au sujet de l'opération asymétrique:** Lorsque vous branchez une source asymétrique (tel que prise de sortie RCA sur une table de mixage) à des prises d'entrées symétriques telles que celles que vous trouverez sur la NX750P, des meilleurs résultats de réjection de bruit peuvent être obtenus en utilisant un câble avec prises de branchement symétrique jusqu'à la prise d'entrée asymétrique. La connexion de retour devrait être branchée à la masse sur la prise asymétrique. La NX750P ne connecte pas la prise de mise à la masse CA à la masse du signal. Cela devrait éliminer la plupart des problèmes de boucle de masse.

# nx 750P

## 750 WATT POWERED LOUDSPEAKER ENCLOSURE

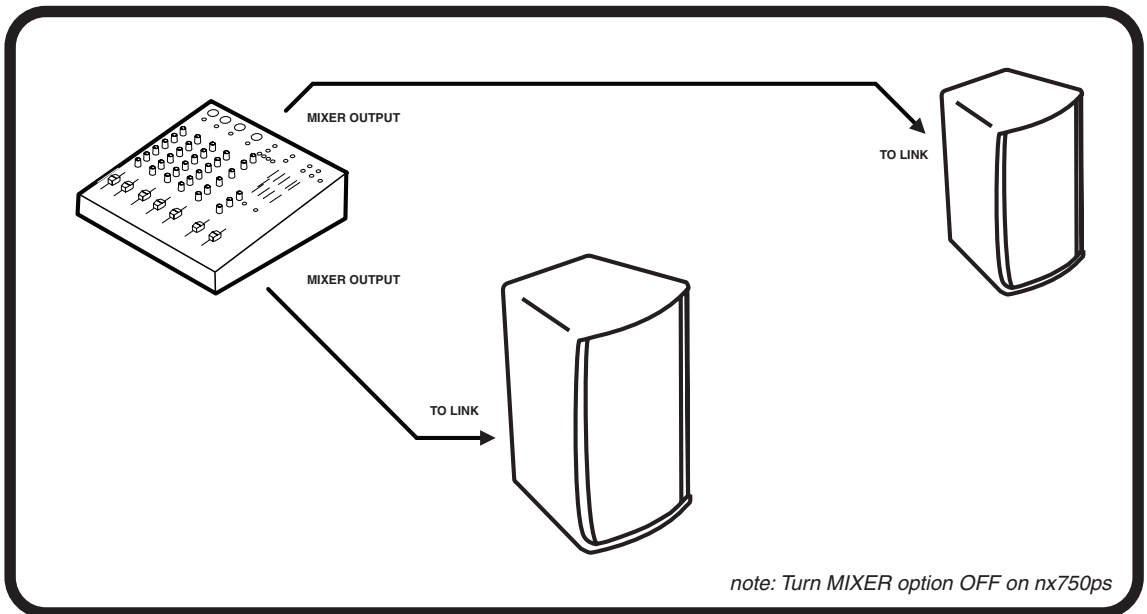
### Spécifications

<b>Type De Système</b>	2-Voies
<b>Active ou Passive</b>	Active
<b>Puissance nominale (Watts)</b>	750
<b>Double Amplificateurs</b>	Autoalimenté
<b>Opération à double amplificateur seulement</b>	Oui
<b>Pression sonore Maximum (dB)</b>	127
<b>Réponse en Fréquence (Hz +/- 3db)</b>	50 - 26k
<b>Fréquence de croisement (Hz)</b>	1400
<b>Configuration De Haut-Parleurs</b>	15 pouces / 1.5 pouce
<b>Driver pour fréquences Aiguës(s)</b>	George de 1 pouce, Aimant en Céramique, Bobine mobile en
<b>Puissance nominale pour fréquences Aiguës(Watts)</b>	100
<b>Dispersion des Aiguës(°H x °V)</b>	80 x 50
<b>Driver pour fréquences Grave (s)</b>	15 pouces avec aimant Néodymium et bobine mobile de 3
<b>Puissance nominale pour fréquences Graves (Watts)</b>	650
<b>Puissance Totale (Watts)</b>	750
<b>Type D'Amplificateur pour Fréquences Aiguës</b>	Deux Rangés Class H
<b>Type D'Amplificateur pour Fréquences Graves</b>	Class D
<b>Cordon D'alimentation</b>	Oui
<b>Commutateur de mise en marche</b>	Oui
<b>Entrées</b>	7
<b>Entrées- 1/4" Jacks</b>	2 (entrée ligne) 2 (connexion entrée/sortie)
<b>Entrées- XLR</b>	1 (mic) 2 (ligne entrée/sortie)
<b>Sensibilité d'entrée (Vrms Sinuozidal)</b>	+4dBv / 1.23V
<b>Contrôles du Mixeur</b>	Commutateur d'alimentation du mixeur Gain Mic Gain Ligne/CD Aiguës/Graves
<b>Contrôles de niveau</b>	Volume Principale +/- 6dB
<b>Contrôles d'égalisation</b>	100Hz Filtre Passe Haut (Pente de diminution des graves)
<b>Limiteur</b>	Oui
<b>DEL Indicatrices</b>	Alimentation/Écrêtage/Limitage
<b>Pied</b>	Oui
<b>Quincaillerie de suspension</b>	2 (Dessus), 2 (Dessous), 1 (tire arrière)
<b>Quincaillerie de suspension optionnelle</b>	Suspension NX
<b>Poignés</b>	1 (côté)
<b>Adaptateur pour montage sur poteau (1 3/8"-3.5cm)</b>	Oui
<b>Enceinte - Matériaux</b>	Matériel composite moulé à densité variable
<b>Grille</b>	Métal Perforé
<b>Dimensions (PLH x L (arrière) , (pouces)</b>	15 x 22 x 32 x 9.5
<b>Dimensions (PLH x L (arrière), (cm)</b>	38 x 56 x 84 x 24
<b>Poids (livres/kg)</b>	62 / 28.2



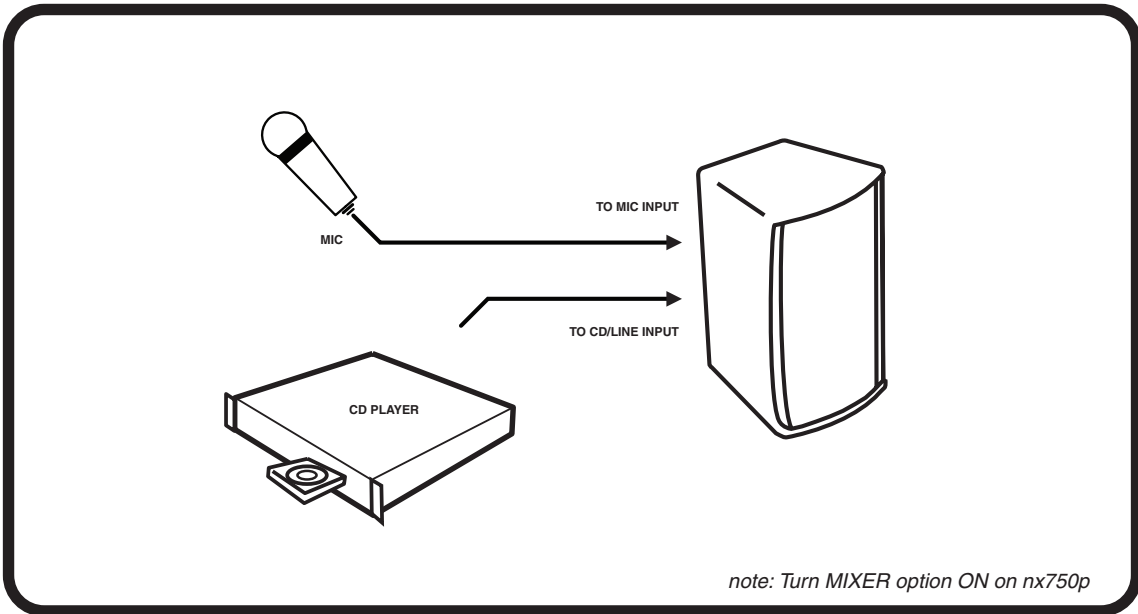
config-016-mr750p-1v0.eps

**ONE MICROPHONE, MULTIPLE NX750Ps**

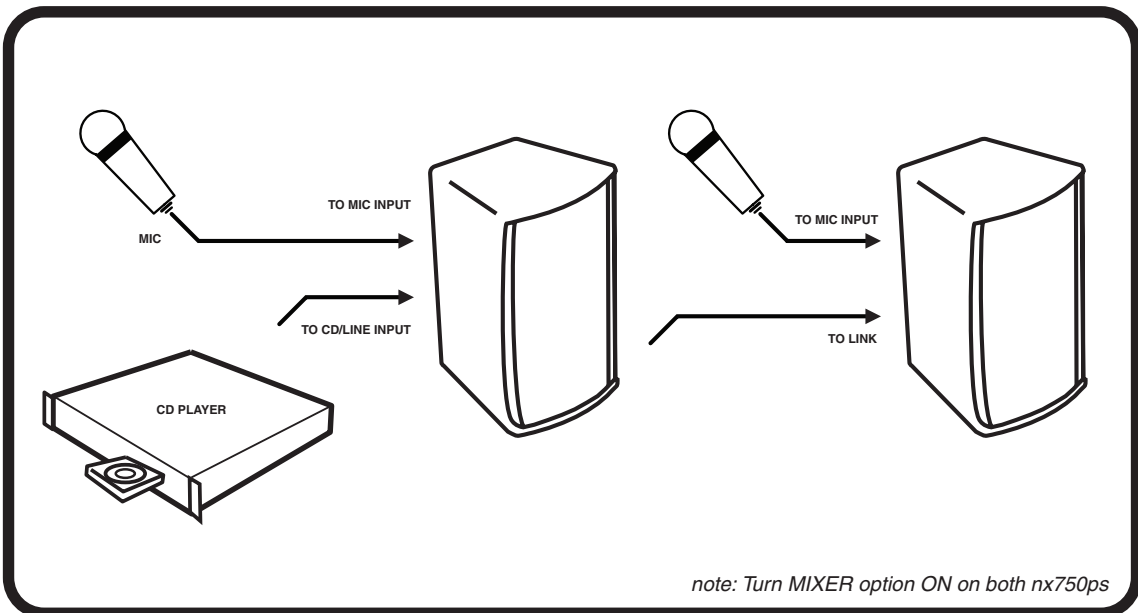


config-025-nx750ps-1v0.eps

**STEREO P.A., with EXTERNAL MIXER**

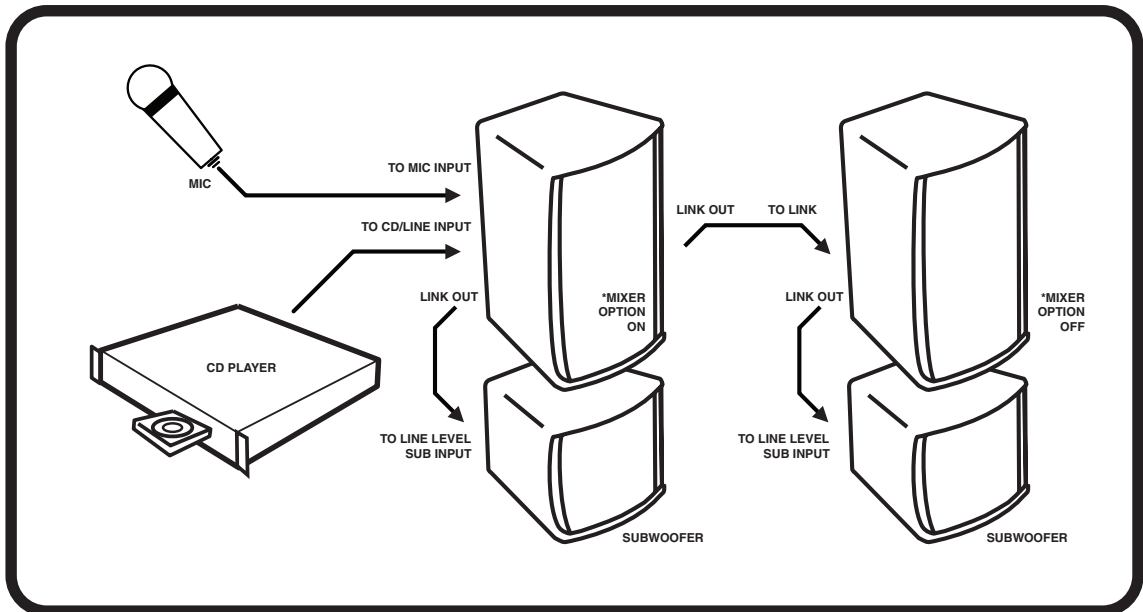


**ONE MIC and ONE CD PLAYER**



**TWO MICS and ONE CD PLAYER**



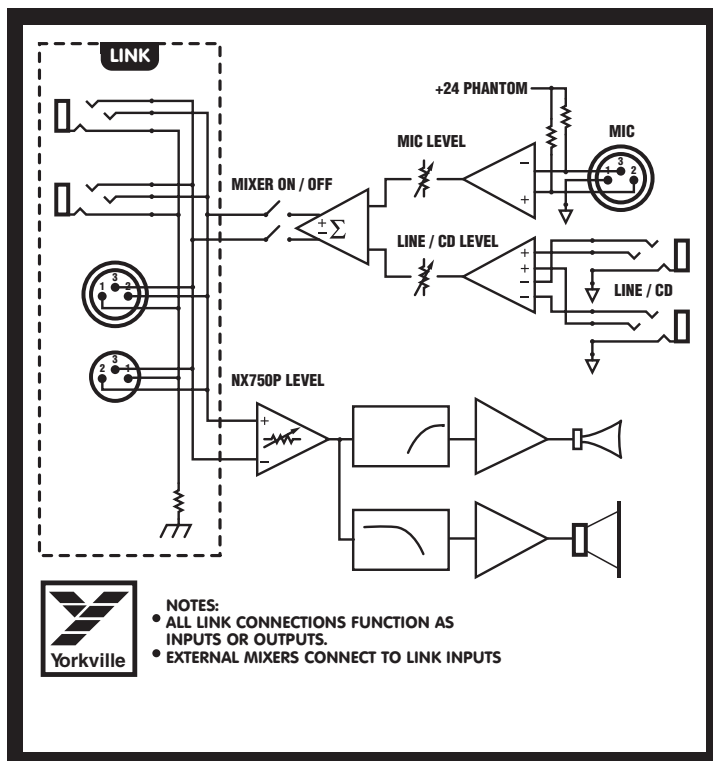


config-00e-nv25dp-1v0.eps

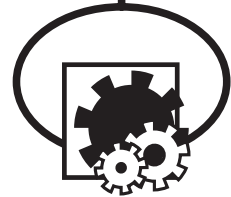
**MIC and CD PLAYER, with POWERED SUBWOOFERs**

# nx750P

## 750 WATT POWERED LOUDSPEAKER ENCLOSURE



# EYEBOLT INSTALLATION



## 1. DESCRIPTION

Many of the popular models in the Yorkville speaker cabinet line are now equipped with flying hardware for overhead suspension applications. Depending on the model, two or more internal braces have been provided for rigging purposes. Each brace contains two bolt holes and provides center-of-gravity fly-points for use with in-line or angular loads. Many of the models will support additional suspended cabinets according to their specified working load limits.



### **IMPORTANT!!**

*THE RIGGING OF LOUDSPEAKER SYSTEMS IS AN EXTREMELY SERIOUS MATTER. OVERHEAD RIGGING REQUIRES EXTENSIVE EXPERIENCE, INCLUDING (BUT NOT LIMITED TO) CALCULATING WORKING LOAD LIMITS, HARDWARE INSTALLATION, AND PERIODIC SAFETY INSPECTION OF ALL HARDWARE AND CABINETRY. IF YOU LACK THESE QUALIFICATIONS, DO NOT ATTEMPT THE INSTALLATION YOURSELF, BUT INSTEAD USE A PROFESSIONAL STRUCTURAL RIGGER. IMPROPER INSTALLATION CAN RESULT IN BODILY INJURY OR DEATH. CONSULT A STRUCTURAL ENGINEER TO CALCULATE ADDED LOADS FOR A BUILDING. STRUCTURAL REINFORCEMENT MAY BE NECESSARY TO INSURE A SAFE INSTALLATION.*

## 2. REQUIRED TOOLS

1/4-20 Hex Wrench

Thread lock adhesive (Removable Type)

## 3. EYEBOLT INSTALLATION

a) Using a 1/4-20 hex wrench, remove the flat head bolts from the top or bottom of the speaker enclosure to expose the tapped holes (on TX models, the flat head bolts are located within the track rails), as shown below. Be sure to keep these handy as they will be needed to seal the cabinet after the eyebolts are removed.



### **IMPORTANT!!**

*USE ONLY LOAD RATED FORGED EYEBOLTS. THESE MAY BE PURCHASED THROUGH YORKVILLE SOUND OR ATM FLY-WARE™. TO INSURE CABINET-BRACING STRENGTH, MAKE SURE ALL FLY-POINTS ARE SECURED WITH EITHER AN EYEBOLT OR FLAT HEAD HEX BOLT.*

b) Place a drop of thread-lock adhesive on the threads of the eyebolt and insert one into exposed hole. Tighten each eyebolt by hand until it fits snugly against the cabinet. Further tighten each eyebolt by rotating it another half turn. Be sure to insert eyebolts in the threaded hole directly in-line with the suspension cable. Always follow the eyebolt manufacturers installation and use instructions.

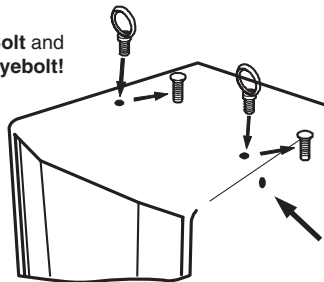
c) Suspend each cabinet according to working load calculations and practices recommended by the rigging hardware manufacturer.



### **IMPORTANT!!**

*ON MODELS WITH ONLY TWO TOP SUSPENSION POINTS THE SUPPLIED PULL BACK AT THE REAR OF THE BOTTOM CENTER PANEL OF THE CABINET IS NOT TO BE USED AS A SUSPENSION POINT. THIS POINT IS TO BE USED FOR PULL BACK PURPOSES ONLY.*

Remove Flat-Head Bolt and  
replace with Forged Shoulder Eyebolt!



**DO NOT Remove Flat-Head Bolts**  
on the Side of Cabinet/s.

## 4. WORKING LOAD LIMITS

Specified working load limits have been determined for the enclosure as follows:

<b>NX750P</b>	4 fly points - 2 top + 2 bottom + pull back	1/4-inch weight of cabinet only
---------------	---	---------------------------------



### **IMPORTANT!!**

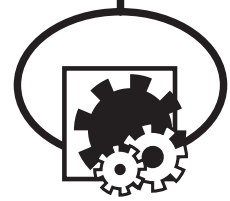
*READ ALL ENCLOSED INSTRUCTIONS ABOUT PROPER USE OF HARDWARE. TO INSURE PROPER INSTALLATION, FOR TECHNICAL INFORMATION ON SUSPENSION TECHNIQUES AND EXTERIOR ACCESSORY INFORMATION WE SUGGEST CALLING ATM FLY-WARES TECHNICAL SERVICES IN THE UNITED STATES AT (310)639-8282 MONDAY THROUGH FRIDAY FROM 9 AM TO 6 PM (PST) OR FAX AT (310)639-8284. YORKVILLE SOUND MAKES NO CLAIMS AS TO THE SAFETY OF THE ENCLOSURES IF RECOMMENDED LOAD LIMITS AND HARDWARE ARE NOT STRICTLY ADHERED TO. NOR DOES IT MAKE ANY SAFETY CLAIMS TO THE RESULTANT INSTALLATION.*



### **IMPORTANT!!**

*TRACK RAILINGS: UNITS THAT INCORPORATE THE TRACK RAILING SYSTEM HAVE THE SAME WORKING LOAD LIMITS AS THEY DO WHEN THEY ARE USED WITH EYEBOLTS. THESE RATINGS MAY BE LIMITED AND BASED ON THE RATINGS OF THE TRACK FITTINGS THEMSELVES. PLEASE ENSURE THAT THE RATING OF THE CERTIFIED TRACK FITTINGS EXCEEDS NECESSARY WORKING LOAD LIMITS.*

# EYEBOLT INSTALLATION



## 1. DESCRIPTION

Plusieurs des modèles populaires de la ligne d'enceinte à haut-parleur Yorkville sont maintenant équipés de quincaillerie de montage pour les applications requérant une suspension aérienne. Dépendamment du modèle, deux ou plusieurs attaches internes sont prévues pour de tels montages. Chaque attache contient deux trous de boulon et offre des points de montage centre de gravité pour utilisation avec charges droites ou anguleuses. Plusieurs des modèles permettent la suspension de cabinets additionnels selon leur limite de charge de travail spécifique.



**IMPORTANT!!** LE MONTAGE DE SYSTÈME DE HAUT-PARLEUR EST UNE AFFAIRE TRÈS SÉRIEUSE. LES MONTAGES IMPLIQUANT UNE SUSPENSION AÉRIENNE NÉCESSITENT UNE CONNAISSANCE APPROFONDIE, INCLUANT (MAIS NON-LIMITÉE) AU CALCUL DES LIMITES DE CHARGE DE TRAVAIL, LA QUINCAILLERIE D'INSTALLATION, ET INSPECTIONS PÉRIODIQUES DE SÉCURITÉ DE TOUTE LA QUINCAILLERIE ET DE L'ÉBÉNISTERIE. SI VOUS N'AVEZ PAS CES QUALIFICATIONS, NE TENTEZ PAS DE FAIRE VOUS-MÊME L'INSTALLATION, AYEZ PLUTÔT RECOURS À UN PROFESSIONNEL DU DOMAINE. UNE INSTALLATION INADÉQUATE PEUT CAUSER DES BLESSURES CORPORELLES OU MÊME LA MORT. CONSULTEZ UN INGÉNIEUR EN STRUCTURE POUR CALCULER LA CHARGES ADDITIONNELLE AJOUTÉE AU BÂTIMENT. UN RENFORCEMENT DE LA STRUCTURE DU BÂTIMENT POURRAIT ÊTRE NÉCESSAIRE POUR ASSURER UNE INSTALLATION SÛRE.

## 2. OUTILS REQUIS

Clé Hex 1/4-20

Adhésif de verrouillage pour filetage (Type amovible)

## 3. INSTALLATION DES BOULONS À OEIL

a) À l'aide d'une Clé Hex 1/4-20, enlevez le boulon à tête plate du dessus ou du dessous de l'enceinte à haut-parleur pour découvrir les trous filetés (sur les modèles TX, les boulons à tête plate sont situés à l'intérieur des quincailleries de montage intégré), tel qu'indiqué ci-dessous.

Assurez-vous de ne pas perdre ces boulons à tête plate. Vous devrez les ré-utiliser pour fermer hermétiquement le cabinet quand les boulons œil seront enlevés.



**IMPORTANT!!** N'UTILISEZ QUE DES BOULONS À OEIL CLASSIFIÉ POUR LES CHARGES REQUISES. VOUS POUVEZ VOUS LES PROCURER DE YORKVILLE SOUND OU ATM FLYWARE™. POUR PRÉSERVER UNE FORCE MAXIMALE DE L'ENTRETOISEMENT DU CABINET, ASSUREZ-VOUS QUE TOUS LES POINTS DE SUSPENSION SONT FIXÉS SOLIDEMENT AVEC SOIT UN BOULON À OEIL, SOIT UN BOULON HEX À TÊTE PLATE

b) Placez une goutte d'adhésif de verrouillage sur le filetage du boulon à œil et placez-en une dans le trou exposé. Serrez chaque boulon à œil à la main jusqu'à ce qu'ils soient bien serrés contre l'enceinte. Serrez encore chaque boulon à œil en les tournant un autre demi-tour.

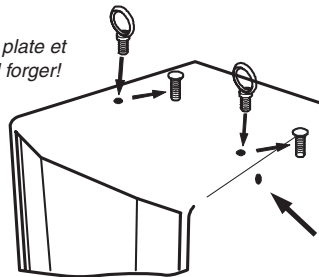
Assurez-vous d'insérer les boulons à œil dans les trous filetés directement en ligne avec le câble de suspension. Toujours suivre les instructions d'installation et d'utilisation du fabricant des boulons à œil.

c) Suspendez chaque enceinte selon le calcul de charge de travail et les pratiques recommandées par le fabricant de la quincaillerie de montage.



**IMPORTANT!!** LES MODÈLES ÉQUIPÉS DE SEULEMENT DEUX POINT DE SUSPENSION SUR LE DESSUS, SONT DOTÉ D'UN POINT DE TIRE À L'ARRIÈRE SUR LE PANNEAU CENTRAL DU BAS. CE POINT DE TIRE NE DOIT PAS ÊTRE UTILISÉ COMME POINT DE SUSPENSION. CE POINT DE TIRE NE DOIT SEULEMENT ÊTRE UTILISÉ QUE POUR TIRER L'ENCEINTE VERS L'ARRIÈRE..

Enlevez le Boulon à tête plate et  
Remplacez-le avec un boulon à œil forger!



N'enlevez pas les boulons à tête  
plate sur le côté de l'enceinte/s

## 4. LIMITES DE CHARGE DE TRAVAIL

Les limites de charge spécifiées ont été déterminées pour chaque enceinte comme suit:

NX750P

4 fly points - 2 top + 2 bottom + pull back

1/4-inch weight of cabinet only



**IMPORTANT!!** LIRE TOUTE LA DOCUMENTATION INCLUSE AU SUJET DE L'UTILISATION APPROPRIÉ DE LA QUINCAILLERIE. POUR ASSURER UNE BONNE INSTALLATION, POUR OBTENIR DE L'INFORMATION TECHNIQUE SUR LES DIVERSES TECHNIQUES DE SUSPENSION ET POUR OBTENIR DE L'INFORMATION SUR LES ACCESSOIRES EXTÉRIEURS NOUS VOUS SUGGÉRONS D'APPELER LE SERVICE TECHNIQUE DE ATM FLY-WARE AUX ETATS-UNIS AU (310)639-8282 DU LUNDI AU VENDREDI DE 9 AM À 6 PM (HSP) OU PAR FAX AU (310)639-8284. YORKVILLE SOUND NE GARANTIE PAS UNE UTILISATION SÉCURITAIRE DES ENCEINTES SI LES LIMITES DE CHARGE RECOMMANDÉES NE SONT PAS RESPECTÉES ET SI VOUS N'ADHÉREZ PAS STRICTEMENT À LA LISTE DE QUINCAILLERIE RECOMMANDÉE.



**IMPORTANT!!** RAILS DE MONTAGE (TRACK RAILINGS): LES ENCEINTES INCORPORANT LE SYSTÈME DE RAIL DE MONTAGE ONT LES MÊMES LIMITES DE CHARGE DE TRAVAIL QU'ILS SOIENT SUSPENDUS AVEC LE SYSTÈME DE RAIL OU AVEC LES BOULONS À OEIL. CES VALEURS ASSIGNÉES DE LIMITE DE CHARGE PEUVENT ÊTRE LIMITÉES ET BASÉES SUR LA VALEUR DE LIMITE DE CHARGE ASSIGNÉE AUX APPAREILLAGES DE RAIL (TRACK FITTINGS) ELLE-MÊMES. ASSUREZ-VOUS S.V.P. QUE LA VALEUR ASSIGNÉE DE LIMITE CHARGE DE TRAVAIL SUR LES APPAREILLAGES CERTIFIÉS DE RAIL (TRACK FITTINGS) EXÈDE LES LIMITES NÉCESSAIRES DE CHARGE DE TRAVAIL.





# Two & Ten Year Warranty

## Unlimited Warranty

Yorkville's two and ten-year unlimited warranty on this product is transferable and does not require registration with Yorkville Sound or your dealer. If this product should fail for any reason within two years of the original purchase date (ten years for the wooden enclosure), simply return it to your Yorkville dealer with original proof of purchase and it will be repaired free of charge. This includes all Yorkville products, except for the YSM Series studio monitors, Coliseum Mini Series and TX Series Loudspeakers.

Freight charges, consequential damages, weather damage, damage as a result of improper installation, damages due to exposure to extreme humidity, accident or natural disaster are excluded under the terms of this warranty. Warranty does not cover consumables such as vacuum tubes or par bulbs. See your Yorkville dealer for more details. Warranty valid only in Canada and the United States.

## Garantie Illimitée

La garantie illimitée de deux et dix ans de ce produit est transférable. Il n'est pas nécessaire de faire enregistrer votre nom auprès de Yorkville Sound ou de votre détaillant. Si, pour une raison quelconque, ce produit devient défectueux durant les deux années qui suivent la date d'achat initial (dix ans pour l'ébénisterie), retournez-le simplement à votre détaillant Yorkville avec la preuve d'achat original et il sera réparé gratuitement. Ceci inclus tous les produits Yorkville à l'exception de la série de moniteurs de studio YSM, la mini série Coliseum et de la série TX.

Les frais de port et de manutention ainsi que les dommages indirects ou dommages causés par désastres naturels, extrême humidité ou mauvaise installation ne sont pas couverts par cette garantie. Cette garantie ne couvre pas les produits consommables tels que lampe d'amplificateur ou ampoules "PAR". Voir votre détaillant Yorkville pour plus de détails. Cette garantie n'est valide qu'au Canada et aux États Unis d'Amérique.

**REAL Gear.**  
**REAL People.**



**Canada U.S.A.**

Voice: (905) 837-8481 Voice: (716) 297-2920  
Fax: (905) 837-8746 Fax: (716) 297-3689

[www.yorkville.com](http://www.yorkville.com)

Yorkville Sound Yorkville Sound Inc.  
550 Granite Court 4625 Witmer Industrial Estate  
Pickering, Ontario Niagara Falls, New York  
L1W-3Y8 CANADA 14305 USA



**WEB:** [www.yorkville.com](http://www.yorkville.com)

**WORLD HEADQUARTERS  
CANADA**

**Yorkville Sound**  
550 Granite Court  
Pickering, Ontario  
L1W-3Y8 CANADA

Voice: (905) 837-8481  
Fax: (905) 837-8746

**U.S.A.**

**Yorkville Sound Inc.**  
4625 Witmer Industrial Estate  
Niagara Falls, New York  
14305 USA

Voice: (716) 297-2920  
Fax: (716) 297-3689



**Quality and Innovation Since 1963**

Printed in Canada

Manual-Owners-nx750p-00-1v8 • March 22/2010